

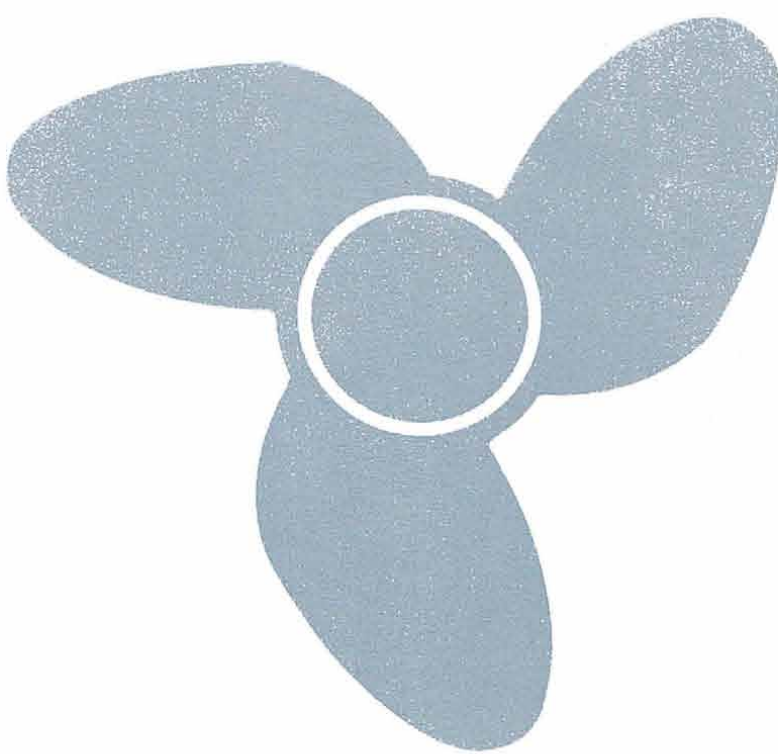
1980

EVINRUDE

SERVICE MANUAL

70/75 HP models

E70ELCS
E75ERCS - E75ERLCS



INTRODUCTION

1

SAFETY



GENERAL
SERVICE
INFORMATION

2

FUEL
SYSTEM

3

IGNITION
SYSTEM

4

POWERHEAD

5

LOWER
UNIT

6

ELECTRICAL
SYSTEM

7

REMOTE
CONTROL

8



NATIONAL ASSOCIATION
OF SERVICE MANAGERS
MEMBER

SPECIFICATIONS

	70 HP	75 HP STD	75 HP LONG
POWERHEAD			
Model numbers	E70ELCS	E75ERCS	E75ERLCS
Engine type	2 cycle, 3 cylinders in line	2 cycle, 3 cylinders in line	2 cycle, 3 cylinders in line
Bore and stroke	3" bore x 2-11/32" stroke (76.20 x 59.53 mm)	3" bore x 2-11/32" stroke (76.20 x 59.53 mm)	3" bore x 2-11/32" stroke (76.20 x 59.53 mm)
Piston displacement	49.7 in. ³ (814 cm ³)	49.7 in. ³ (814 cm ³)	49.7 in. ³ (814 cm ³)
Horsepower - BIA certified	70 hp (49.5 kW) @ 5000 rpm	75 hp (53.0 kW) @ 5500 rpm	75 hp (53.0 kW) @ 5500 rpm
Full throttle operating range	4500 - 5500 rpm	5200 - 5800 rpm	5200 - 5800 rpm
Test wheel	Part No. 386665	Part No. 386950	Part No. 386665
Tank test with test wheel	5000 rpm	5200 rpm	5200 rpm
Idle speed			
Neutral	1000 - 1100 rpm	1000 - 1100 rpm	1000 - 1100 rpm
Forward	750 rpm	750 rpm	750 rpm
Pistons with rings			
Standard	Part No. 386251	Part No. 386251	Part No. 386251
0.020" oversize	Part No. 386257	Part No. 386257	Part No. 386257
0.030" oversize (without rings)	Part No. 386258	Part No. 386258	Part No. 386258
Piston ring sets (2 per set)			
Standard	Part No. 385807	Part No. 385807	Part No. 385807
0.020" oversize	Part No. 385808	Part No. 385808	Part No. 385808
0.030" oversize	Part No. 385809	Part No. 385809	Part No. 385809
Width of ring			
Upper	0.0900" - 0.0895" (2.286 - 2.273 mm)	0.0900" - 0.0895" (2.286 - 2.273 mm)	0.0900" - 0.0895" (2.286 - 2.273 mm)
Lower	0.0625" - 0.0615" (1.588 - 1.562 mm)	0.0625" - 0.0615" (1.588 - 1.562 mm)	0.0625" - 0.0615" (1.588 - 1.562 mm)
Crankshaft size			
Top journal	1.4979" - 1.4974" (38.047 - 38.034 mm)	1.4979" - 1.4974" (38.047 - 38.034 mm)	1.4979" - 1.4974" (38.047 - 38.034 mm)
Center journals	1.3752" - 1.3748" (34.930 - 34.920 mm)	1.3752" - 1.3748" (34.930 - 34.920 mm)	1.3752" - 1.3748" (34.930 - 34.920 mm)
Bottom journal	1.1815" - 1.1810" (30.010 - 29.997 mm)	1.1815" - 1.1810" (30.010 - 29.997 mm)	1.1815" - 1.1810" (30.010 - 29.997 mm)
Crank pin size	1.1828" - 1.1823" (30.043 - 30.030 mm)	1.1828" - 1.1823" (30.043 - 30.030 mm)	1.1828" - 1.1823" (30.043 - 30.030 mm)
FUEL SYSTEM			
Carburetion	3 carburetors, float feed with manual lever and remote control choke	3 carburetors, float feed with manual lever and remote control choke	3 carburetors, float feed with manual lever and remote control choke
Float level setting	Between steps on gauge no. 324891	Between steps on gauge no. 324891	Between steps on gauge no. 324891
Carburetor orifice plugs			
Idle	Part No. 325869 Hole size 0.057" (1.45 mm)	Top & bottom carburetors Part No. 325837 Hole size 0.064" (1.63 mm)	Top & bottom carburetors Part No. 325837 Hole size 0.064" (1.63 mm)
Off idle	Part No. 318832 Hole size 0.035" (0.89 mm)	Middle carburetor Part No. 325836 Hole size 0.065" (1.65 mm)	Middle carburetor Part No. 325836 Hole size 0.065" (1.65 mm)
High speed	Part No. 321108 Hole size 0.052 (1.32 mm)	Part No. 323703 Hole size 0.036" (0.91 mm)	Part No. 323703 Hole size 0.036" (0.91 mm)
Inlet needle seat	Hole size 0.065" - 0.062" (1.65 - 1.57 mm) (Use a No. 52 drill as a gauge)	Part No. 320921 Hole size 0.055" (1.40 mm) (Use a No. 52 drill as a gauge)	Part No. 320921 Hole size 0.055" (1.40 mm) (Use a No. 52 drill as a gauge)
LOWER UNIT			
Propeller gear ratio	12:29	15:28	12:29
Propeller supplied with motor	(Aluminum) 3 blade, 13-1/4" dia. x 17" pitch	3 blade, 11-3/4" dia. x 17" pitch	3 blade, 13-1/4" dia. x 17" pitch
Optional propellers			
3 blade, aluminum	14" dia. x 9" pitch 14" dia. x 11" pitch 14" dia. x 13" pitch 13-3/4" dia. x 15" pitch 13" dia. x 19" pitch 12-3/4" dia. x 21" pitch 12-3/4" dia. x 23" pitch	13" dia. x 11" pitch 12-1/2" dia. x 13" pitch 12-1/4" dia. x 15" pitch 11-1/2" dia. x 19" pitch	14" dia. x 9" pitch 14" dia. x 11" pitch 14" dia. x 13" pitch 13-3/4" dia. x 15" pitch 13" dia. x 19" pitch 12-3/4" dia. x 21" pitch 12-3/4" dia. x 23" pitch
2 blade, bronze	13-3/4" dia. x 21" pitch 13-3/4" dia. x 23" pitch		13-3/4" dia. x 21" pitch 13-3/4" dia. x 23" pitch
3 blade, stainless steel	13-3/4" dia. x 15" pitch 13-1/4" dia. x 17" pitch 13" dia. x 19" pitch 12-3/4" dia. x 21" pitch 12-3/4" dia. x 23" pitch		13-3/4" dia. x 15" pitch 13-1/4" dia. x 17" pitch 13" dia. x 19" pitch 12-3/4" dia. x 21" pitch 12-3/4" dia. x 23" pitch

LUBRICATION POINTS

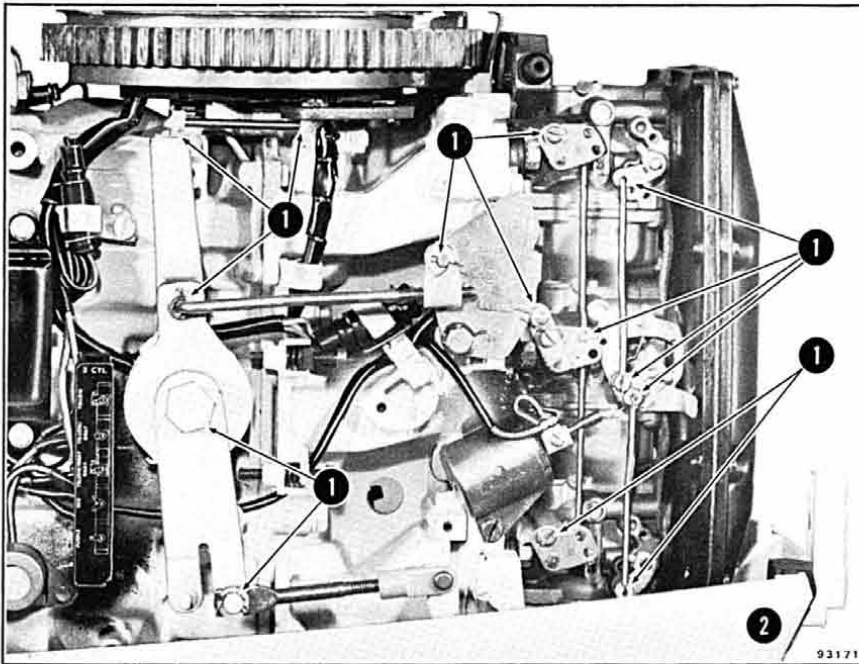


Figure 2-2. Shift, Throttle, Carburetor, Choke Linkages and Springs; Front Cover Latch; Throttle Cam and Roller Shaft (Starboard Side)

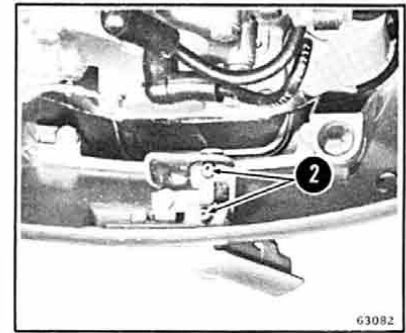


Figure 2-3. Motor Cover Lever Shaft

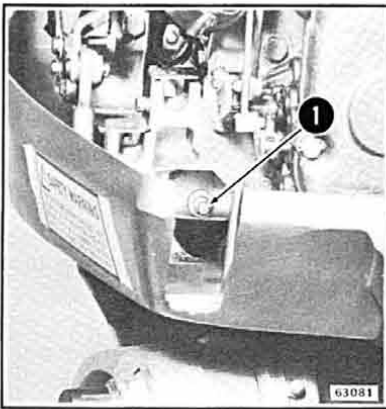


Figure 2-4. Shift Lever Shaft (Starboard Side)

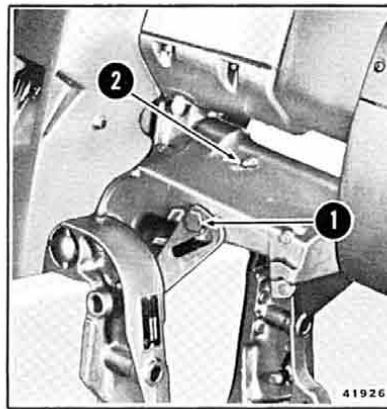


Figure 2-5. Swivel Bracket and Tilt Lock Lever (Port Side)*

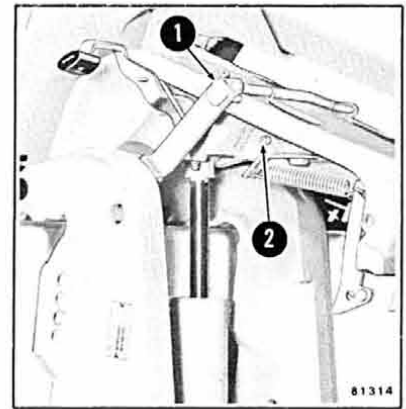


Figure 2-6. Swivel Bracket and Tilt Lock

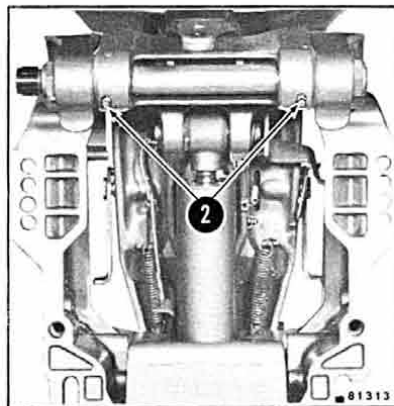


Figure 2-7. Tilt Tube

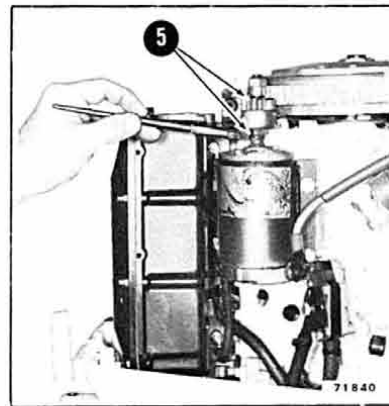


Figure 2-8. Starter Pinion Gear