

# 1979 **EVINRUDE** **SERVICE MANUAL**

**9.9/15 HP  
models**

**10924, 10925, 10955, 10935  
15904, 15905, 15954, 15955**

**INTRODUCTION**

**1**

**GENERAL  
SERVICE  
INFORMATION**

**2**

**FUEL  
SYSTEM**

**3**

**IGNITION  
SYSTEM**

**4**

**POWER  
HEAD**

**5**

**LOWER  
UNIT**

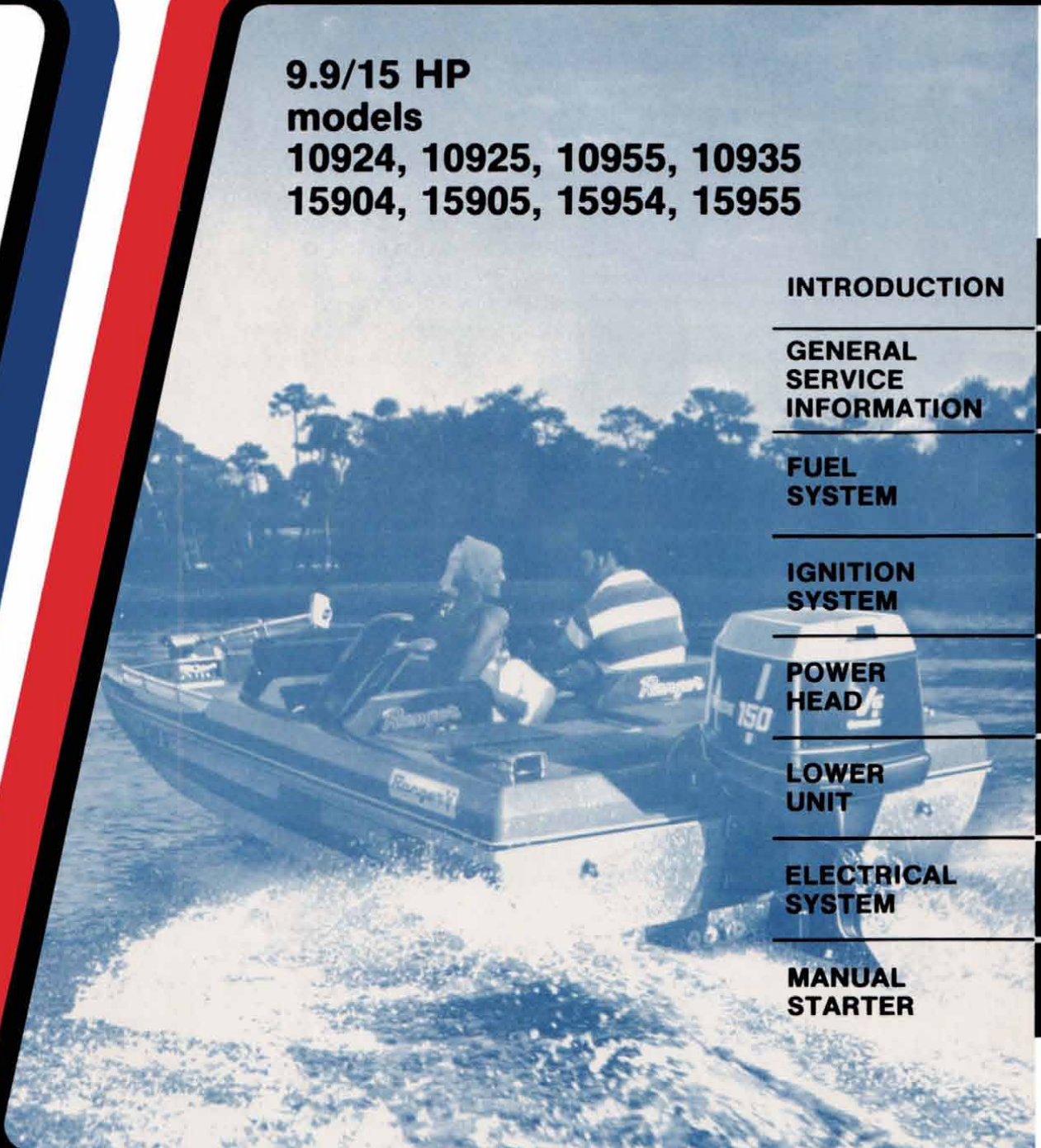
**6**

**ELECTRICAL  
SYSTEM**

**7**

**MANUAL  
STARTER**

**8**



1. Low speed mixture adjusting knob
2. Choke knob
3. Starter handle
4. Shift lever
5. Start button (electric start)
6. Clamp screws
7. Tilt lever
8. Stern brackets
9. Thrust rod (tilt adjustment)
10. Shallow water drive bracket
11. Oil level plug
12. Water intake, port and starboard
13. Oil drain/fill plug
14. Water discharge, port and starboard
15. Exhaust relief
16. Fuel pump and filter

17. Flywheel
18. Armature plate assembly
19. Electric starter
20. Ignition coils
21. Latch, motor cover
22. Idle speed adjusting knob
23. Propeller and converging ring
24. Gearcase
25. Battery cable (electric start)
26. Swivel bracket
27. Model and serial number plate
28. Safety chain link
29. Steering handle and twist grip
30. Stop button
31. Air silencer
32. Re-wind starter
33. Positive battery cable boot
34. Water pump indicator

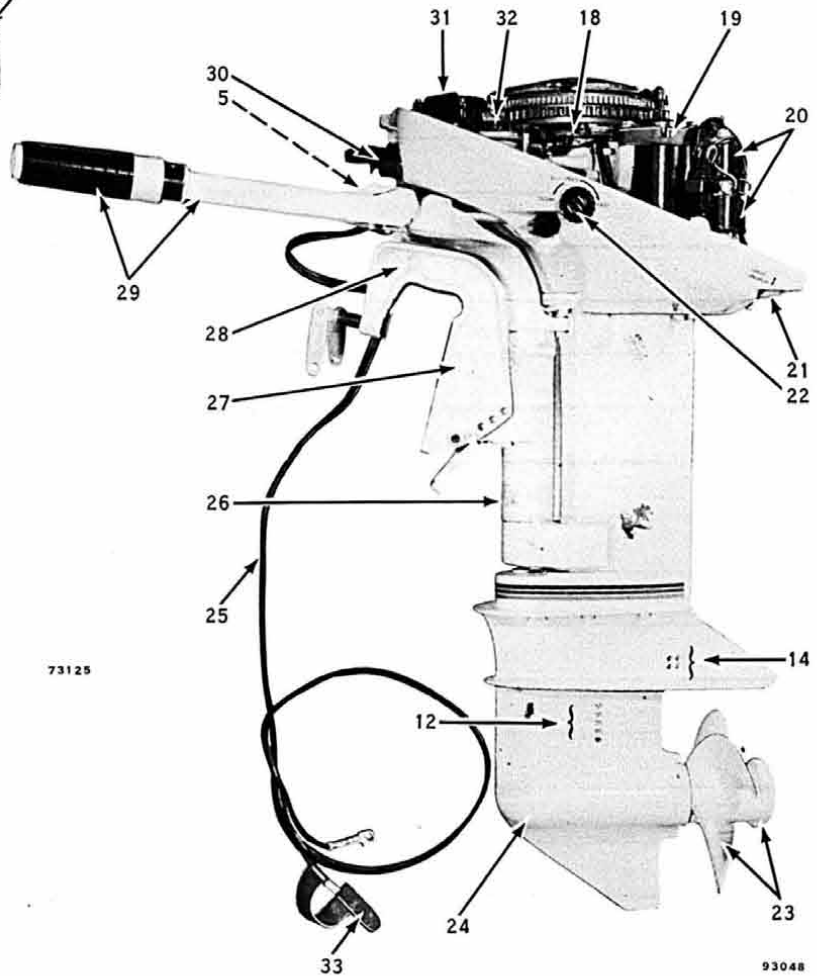
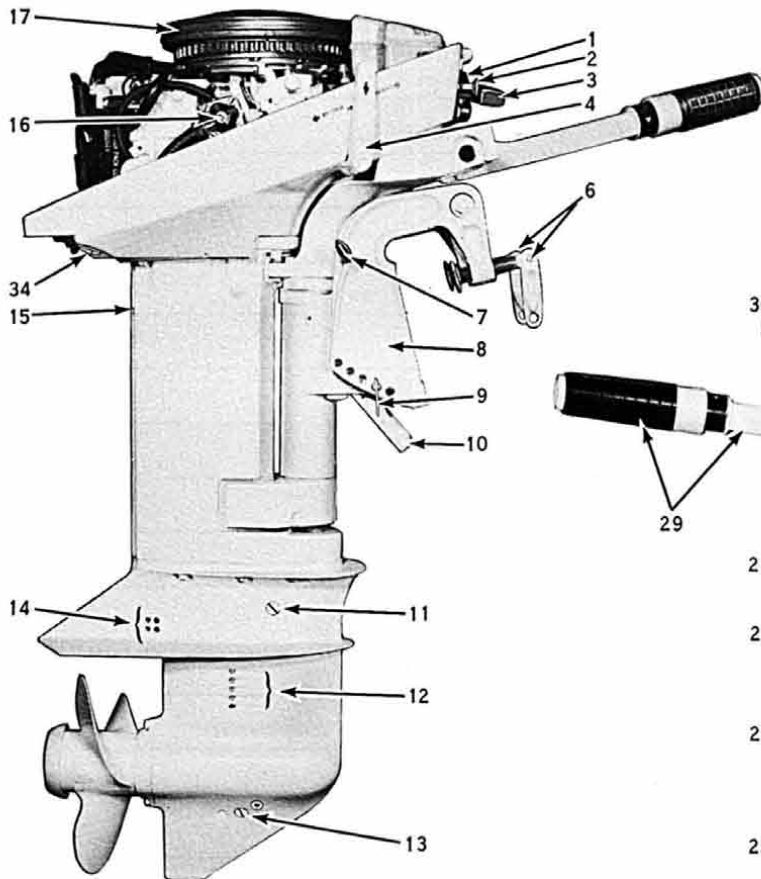


Figure 1-1. Starboard  
(Manual Start)

Figure 1-2. Port Side  
(Electric Start)



## SPECIFICATIONS

<p>Model 10924, 15904 - Standard length (15" transom) (381 mm) Manual start</p> <p>Numbers 10925, 15905 - Long shaft (20" transom) (508 mm) Manual start</p> <p>15954 - Standard length (15" transom) (381 mm) Electric start</p> <p>10955, 15955 - Long shaft (20" transom) (508 mm) Electric start</p> <p>10935 - Long shaft, electric start with reverse thrust kit</p>	<p>Speed control On steering handle Remote control available</p> <p>Gear shift control Forward, neutral and reverse</p> <p>Weight (without fuel tank) Models 10924, 15904 - 72 lbs. (32.7 kg) Models 10925, 15905 - 76 lbs. (34.5 kg) Model 15954 - 77.5 lbs. (35.2 kg) Models 10955, 15955 - 81.5 lbs. (37.0 kg) Model 10935 - 81.5 lbs. (37.0 kg) Fuel tank weight 11 pounds (5.0 kg) net</p> <p>Fuel capacity 6 gallons (22.7 litres) Electrical system (Electric start models only) 5 amp flywheel alternator</p> <p>Starter Manual - Self-winding Electric - 12 volt, and rope</p> <p>Starter amperage draw while cranking 55 Amps max.</p> <p>Ignition Breakerless CD magneto</p> <p>Spark plug Champion L78V or ACV40FFK</p> <p>Alternate spark plug Champion L77J4 or AC M40FFX gapped at 0.040" (1.0 mm)</p> <p>Spark plug torque 17-1/2 - 20-1/2 ft-lbs (24 - 27 N-m)</p> <p>Charge coil resistance Rope 575 ± 75 ohms Electric 475 ± 75 ohms</p> <p>Ignition coil Part No. 581998</p>										
<p>9.9 Horsepower (7 kW) (B.I.A. certified at 5000 rpm Full throttle operating range 4500 to 5500 rpm Test wheel Part Number 386537 Tank Test - 5400 rpm standard 4200 rpm with reverse thrust kit</p> <p>15 Horsepower (10.6 kW) (B.I.A. certified) at 6000 rpm Full throttle operating range 5500 to 6500 rpm Test wheel Part Number 386537 Tank test - 6200 rpm standard 4800 rpm with reverse thrust kit</p>	<p>IGNITION COIL TEST SPECIFICATIONS</p> <p>Stevens Model ST-75</p> <p>Reverse Polarity (Switch Setting CD) 1.2</p> <p>Stevens Tester Model M.A.-75 or M.A.-80</p> <table border="1"> <thead> <tr> <th>Switch</th> <th>Index Adjustment</th> </tr> </thead> <tbody> <tr> <td>**A</td> <td>20</td> </tr> </tbody> </table> <p>Merc-O-Tronic with Capacitor Discharge Adapter Model 55-980 (Reverse Polarity)</p> <table border="1"> <thead> <tr> <th>Operating Amperage</th> <th>Primary Resistance</th> <th>*Secondary Continuity</th> </tr> </thead> <tbody> <tr> <td>1.4</td> <td>0.1 Ohm or Less</td> <td>275 ± 10</td> </tr> </tbody> </table> <p>**Use Model CD-1 Adapter Red test clip to orange/black Black test clip to orange</p> <p>Graham Tester Model 51</p> <p>Maximum Secondary . . . . . 1,000 ohms</p> <p>Maximum Primary . . . . . 0.5 ohm</p> <p>Coil Index . . . . . 50</p> <p>Coil Test Minimum AMPLIFIED . . . . . 17 (With secondary circuit open) Hi tension lead disconnected</p> <p>Gap Index . . . . . 50 (Coil must fire spark gap on tester at this setting.)</p>	Switch	Index Adjustment	**A	20	Operating Amperage	Primary Resistance	*Secondary Continuity	1.4	0.1 Ohm or Less	275 ± 10
Switch	Index Adjustment										
**A	20										
Operating Amperage	Primary Resistance	*Secondary Continuity									
1.4	0.1 Ohm or Less	275 ± 10									
<p>Engine type 2 cyl., 2 cycle, alternate firing</p> <p>Bore and stroke 2.188" bore x 1.760" stroke (55.58 x 44.70 mm)</p> <p>Piston displacement 13.20 cubic inches (216 cm<sup>3</sup>)</p> <p>Piston ring sets (2 per set) standard Part Number 386279 0.030" oversize Part Number 386280</p> <p>Width of ring Upper - 0.0700 - 0.0695 in. (1.778 - 1.765 mm) Lower - 0.0615 - 0.0625 in. (1.562 - 1.588 mm)</p> <p>Piston less rings standard Part Number 387660 0.030" oversize Part Number 387661</p> <p>Crankshaft size Top journal 0.8762 - 0.8757 in. (22.255 - 22.243 mm)</p> <p>Center journal 0.8125 - 0.8120 in. (20.638 - 20.625 mm)</p> <p>Bottom journal 0.8125 - 0.8120 in. (20.638 - 20.625 mm)</p> <p>Connecting rod crank pin 1.0635 - 1.0630 in. (27.013 - 27.000 mm)</p> <p>Carburetion Single barrel, float feed, fixed high speed, adjustable low-speed, manual choke</p> <p>High speed orifice plug (9.9 hp) Part Number 322752 Identification Number 38</p> <p>High speed orifice plug (15 hp) Part Number 323642 Identification Number 50</p> <p>Float level setting Between steps on gauge No.324891</p> <p>Inlet needle seat 0.065 - 0.062" (1.65 - 1.57 mm) Use #52 drill as gauge</p> <p>Cooling system Thermostatically controlled Combination positive displacement and centrifugal pump</p> <p>Propeller gear ratio 12:29</p> <p>Propeller supplied 3 blade, 9-1/2" dia. x 10" pitch with motor</p> <p>Propeller supplied 3 blade, 9-1/4" dia. x 8" pitch with sailboat model</p> <p>Propeller options 3 blade, 10" dia. x 5" pitch 2 blade weedless 9" dia. x 10" pitch</p>	<p>IGNITION COIL OHMMETER TEST</p> <table border="1"> <thead> <tr> <th>Primary Low Ohms</th> <th>Secondary High Ohms</th> </tr> </thead> <tbody> <tr> <td>0.1 ± 0.05</td> <td>275 - 50</td> </tr> </tbody> </table>	Primary Low Ohms	Secondary High Ohms	0.1 ± 0.05	275 - 50						
Primary Low Ohms	Secondary High Ohms										
0.1 ± 0.05	275 - 50										

\*Horsepower established at sea level. Allow 2% reduction per 1000' (300 m) above sea level.