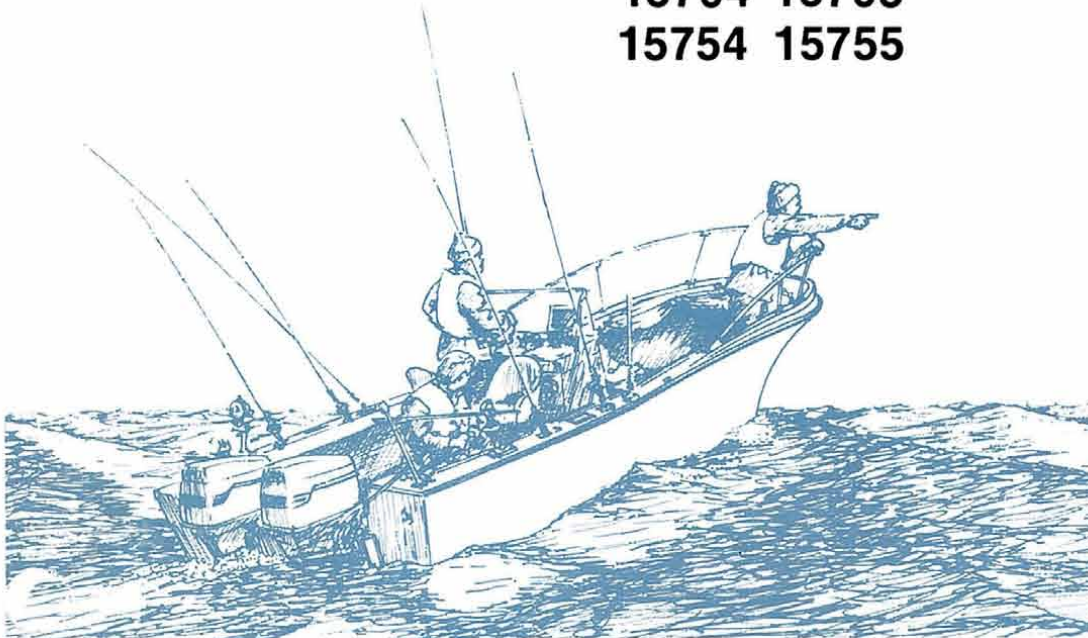




MANUAL

1977

9.9 - hp model: **10724 10725**
15 - **10754 10755**
 15704 15705
 15754 15755



INTRODUCTION

1

GENERAL
SERVICE
INFORMATION

2

FUEL
SYSTEM

3

IGNITION
SYSTEM

4

POWER
HEAD

5

LOWER
UNIT

6

ELECTRICAL
SYSTEM

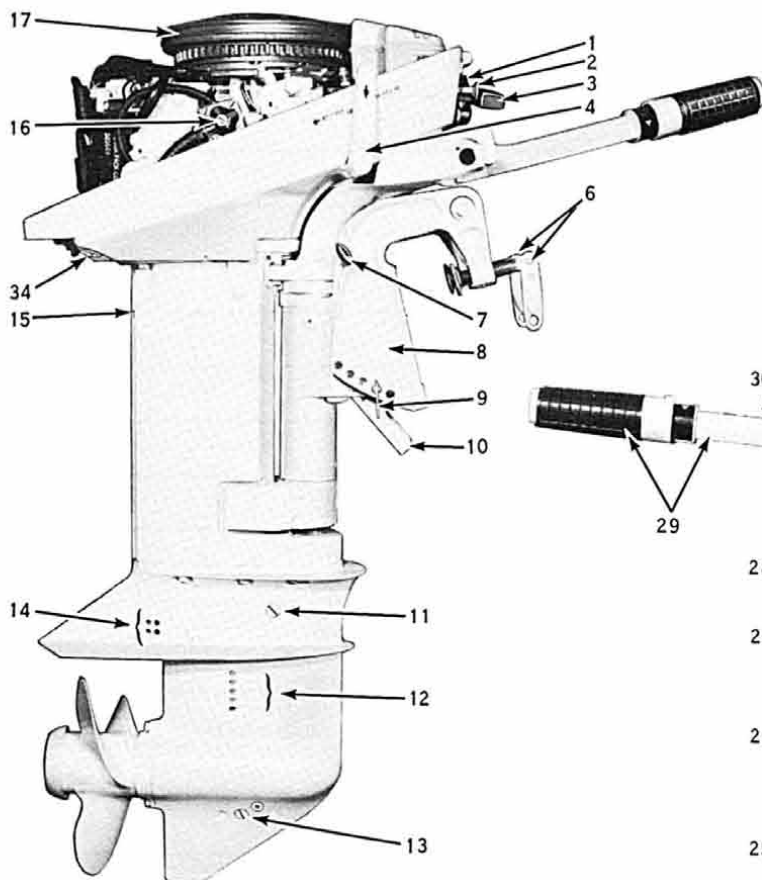
7

MANUAL
STARTER

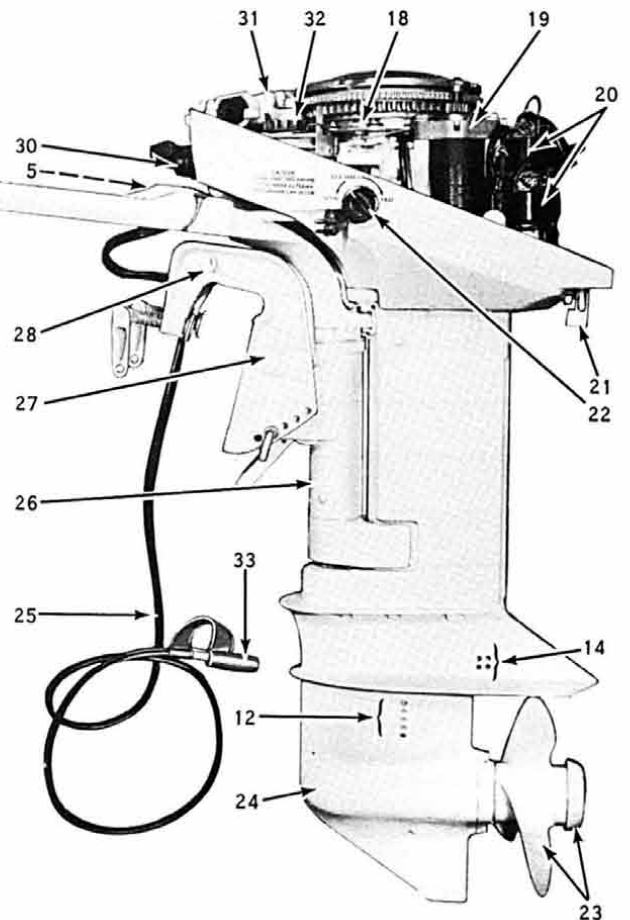
8

1. Low speed adjusting knob
2. Choke knob
3. Starter handle
4. Shift lever
5. Start button (electric start)
6. Clamp screws
7. Tilt lever
8. Stern brackets
9. Thrust rod (tilt adjustment)
10. Shallow water drive bracket
11. Oil level plug
12. Water intake, port and starboard
13. Oil drain/fill plug
14. Water discharge, port and starboard
15. Exhaust relief
16. Fuel pump and filter

17. Flywheel
18. Armature plate assembly
19. Electric starter
20. Ignition coils
21. Latch, motor cover
22. Idle speed adjusting knob
23. Propeller and converging ring
24. Gearcase
25. Battery cable (electric start)
26. Swivel bracket
27. Model and serial number plate
28. Safety chain link
29. Steering handle and twist grip
30. Stop button
31. Air silencer
32. Re-wind starter
33. Positive battery cable boot
34. Water pump indicator



73125



73126

Figure 1-1. Starboard
(Manual Start)

Figure 1-2. Port Side
(Electric Start)

SPECIFICATIONS

<p>Model Numbers 10724, 15704 - Standard length (15" transom) (381 mm)</p> <p>10725, 15705 - 5" longer (127 mm) (20" transom) (508 mm)</p> <p>10754, 15754 - Standard length (15" transom) (381 mm)</p> <p>10755, 15755 - 5" longer (127 mm) (20" transom) (508 mm)</p>	<p>Speed control On steering handle Remote control available</p> <p>Gear shift control Forward, neutral and reverse</p> <p>Weight (without fuel tank) Models 10724, 15704 - 72 lbs. (32.7 kg) Models 10725, 15705 - 77 lbs. (34.9 kg) Models 10754, 15754 - 77 lbs. (34.9 kg) Models 10755, 15755 - 82 lbs. (37.2 kg) (Fuel tank weight 11 pounds (5 kg) net)</p> <p>Fuel capacity 6 gallons (22.7 litres)</p> <p>Electrical system (Electric start models only) 5 amp flywheel alternator</p> <p>Starter Manual - Self-winding Electric - 12 volt, and rope</p> <p>Starter amperage draw while cranking 55 Amps max.</p> <p>Ignition Breakerless C.D. magneto</p> <p>Spark plug Champion L77J4 or AC M40FFX, 14 mm</p> <p>Spark plug gap 0.040 inch (1.0 mm)</p> <p>Spark plug torque 17-1/2 - 20-1/2 foot-pounds (24 - 27 N·m)</p> <p>Charge coil resistance Rope 575 ± 75 ohms Electric 475 ± 75 ohms Ignition coil Part No. 581685</p>	
<p>9.9 Horsepower (B.I.A. certified) at 5000 rpm Full throttle operating range 4500 to 5500 rpm Tank test with test wheel 5400 rpm Part Number 386537</p> <p>15 Horsepower (B.I.A. certified) at 6000 rpm Full throttle operating range 5500 to 6500 rpm Tank test with test wheel 6200 rpm Part Number 386537</p>		
<p>Engine type 2 cyl., 2 cycle, alternate firing Bore and stroke 2.188" bore x 1.760" stroke (55.58 x 44.70 mm)</p> <p>Piston displacement 13.20 cubic inches (216 cm³)</p> <p>Piston ring sets (2 per set) standard Part Number 386279 .030" oversize Part Number 386280</p> <p>Diameter of ring 2.1875 in. (standard) (55.562 mm)</p> <p>Width of ring Upper - 0.0700 - 0.0695 in. (1.778 - 1.765 mm) Lower - 0.0615 - 0.0625 in. (1.562 - 1.588 mm)</p> <p>Piston less rings standard Part Number 387660 .030" oversize Part Number 387661</p> <p>Crankshaft size Top journal 0.8762 - 0.8757 in. (22.255 - 12.243 mm)</p> <p>Center journal 0.8125 - 0.8120 in. (20.638 - 20.625 mm)</p> <p>Bottom journal 0.8125 - 0.8120 in. (20.638 - 20.625 mm)</p> <p>Connecting rod crank pin 1.0635 - 1.0630 in. (27.013 - 27.000)</p> <p>Carburetion Single barrel, float feed, fixed high speed adjustable low-speed, manual choke</p> <p>High speed orifice plug (9.9 hp) Part Number 322752 Identification Number 38</p> <p>High speed orifice plug (15 hp) Part Number 322293 Identification Number 54</p> <p>Float level setting Flush with rim of casting</p> <p>Inlet needle seat 0.065 - 0.062" (1.65 - 1.57 mm) Use #52 drill as gage</p> <p>Cooling system Thermostatically controlled Combination positive displacement and centrifugal pump</p> <p>Propeller gear ratio 12:29</p> <p>Propeller supplied with motor 3 blade, 9-1/2" dia. x 10" pitch</p> <p>Propeller options 3 blade, 9-1/4" dia. x 8" pitch 3 blade, 10" dia. x 5" pitch 2 blade weedless 9" dia. x 10" pitch</p>		
IGNITION COIL TEST SPECIFICATIONS		
Stevens Model ST-75		
Reverse Polarity (Switch Setting CD) 1.9		
Stevens Tester Model M.A.-75 or M.A.-80		
<u>Switch</u> **A	<u>Index Adjustment</u> 20	
Merc-O-Tronic with Capacitor Discharge Adapter Model 55-980		
Operating Amperage	Primary Resistance	*Secondary Continuity
Min. - Max.	Min. - Max.	Min. - Max.
1.9	.1 Ohm	8 - 20
**Use Model CD-1 Adapter Red test clip to orange/black Black test clip to orange		
Graham Tester Model 51		
Maximum Secondary		3,000 ohms
Maximum Primary		0.6 ohm
Coil Index		50
Coil Test Minimum AMPLIFIED		27 (With secondary circuit "open.")
Hi tension lead disconnected		
Gap Index		50 (Coil must fire spark gap on tester at this setting.)
IGNITION COIL OHMMETER TEST		
Primary Low Ohms		Secondary High Ohms
.1 ± .05		1,300 ± 200

*Horsepower established at sea level. Allow 2% reduction per 1000' (300 m) above sea level.