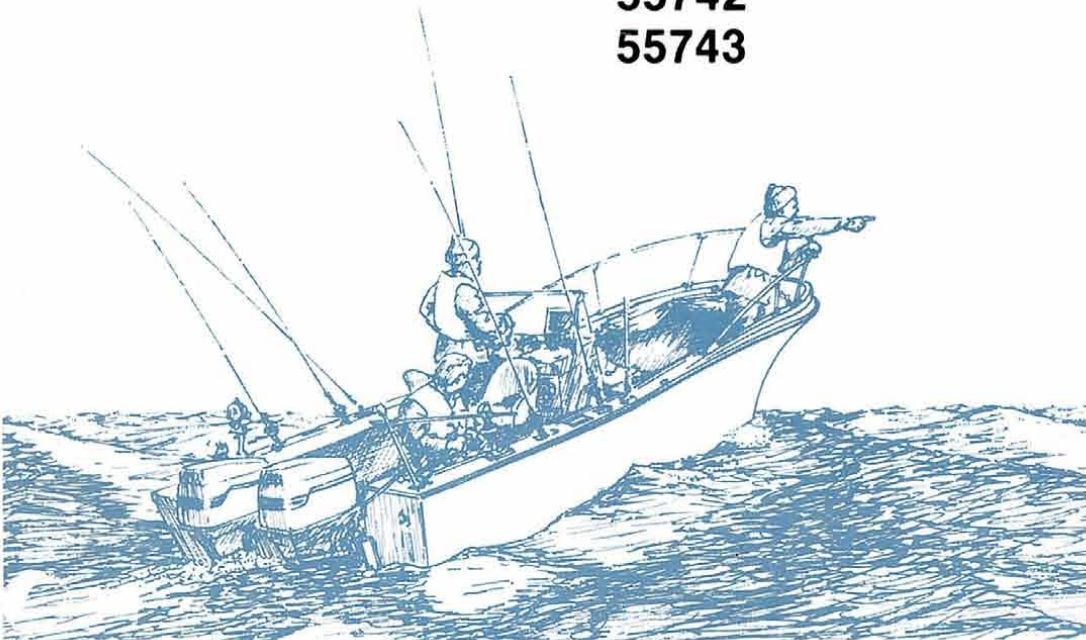




MANUAL

1977

55 - hp model: **55772**
55773
55742
55743



INTRODUCTION	1
GENERAL SERVICE INFORMATION	2
FUEL SYSTEM	3
IGNITION SYSTEM	4
POWER HEAD	5
LOWER UNIT	6
ELECTRICAL SYSTEM	7
REMOTE CONTROL	8

SPECIAL SERVICE TOOLS

OMC has specially-designed tools to simplify some of the disassembly and reassembly operations. These tools are illustrated in this Service Manual, in many cases in actual use. Refer to the Special Service Tool Catalog for a description and ordering instructions for these tools. Individual purchasers of Service Manuals must order Special Tools through an authorized dealer.

OUTBOARD MOTOR NOMENCLATURE

Sometimes the words "right" and "left" are very confusing when referring to the sides of an outboard motor. Therefore, the sides are referred to as STARBOARD or PORT sides. STARBOARD means on the right hand while facing the bow (FRONT) of the boat; PORT means left hand. See Figures 1-1 and 1-2.

Service required for the 55 HP motor is generally one of three kinds . . .

1. **NORMAL CARE AND MAINTENANCE**, which includes putting a new motor into operation, storing motors, lubrication, and care under special operating conditions such as salt water and cold weather.
2. **OPERATING MALFUNCTIONS** due to improper motor mounting, propeller condition or size, boat condition, or the malfunction of some part of the motor. This includes motor tune-up procedures to keep the motor in prime operating condition.
3. **COMPLETE DISASSEMBLY** and overhaul, such as inspecting a motor that has been submerged or rebuilding trade-in units.

It is important to you as the service man to determine before disassembly just what the trouble is, and how to correct it quickly and with minimum expense to the owner.

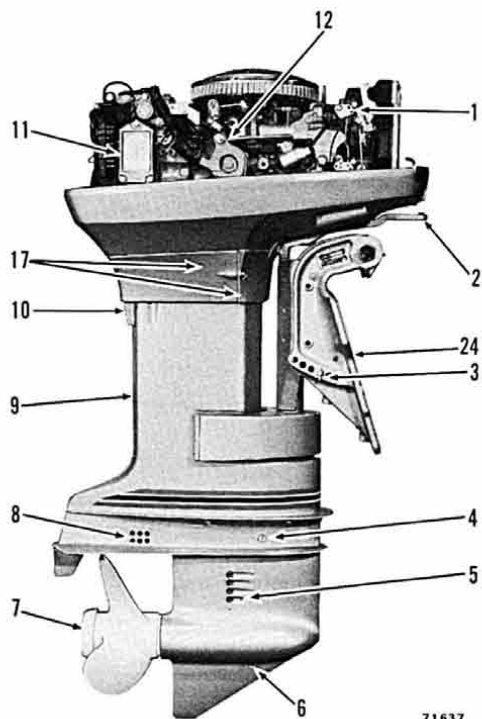


Figure 1-1. Starboard View

1. Carburetors
2. Steering arm
3. Tilt adjustment rod
4. Oil level plug
5. Water intake
6. Oil drain and fill plug
7. Exhaust outlet
8. Water outlet
9. Exhaust housing
10. Exhaust relief
11. Power pack
12. Throttle and shift lever
13. Ignition coils
14. Alternator
15. Electric starter
16. Fuel pump and filter
17. Exhaust covers
18. Tilt and reverse lock lever
19. Air silencer
20. Trim tab
21. Propeller
22. Skeg
23. Gearcase
24. Stern bracket

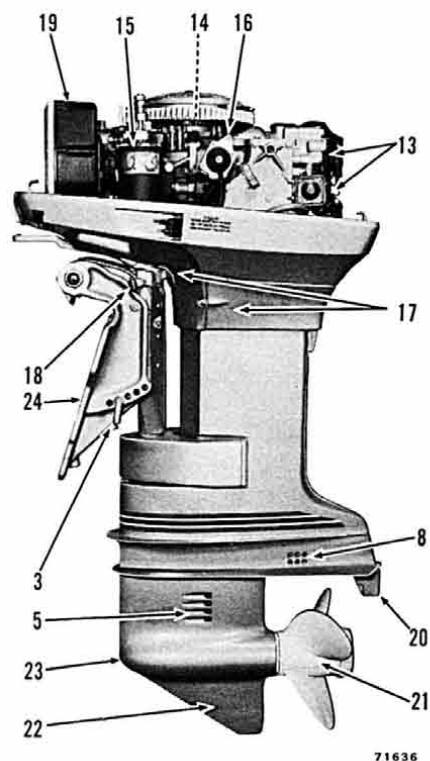


Figure 1-2. Port Side View

SPECIFICATIONS

Model Numbers 55772 (standard length)
 55773 (5" (127 mm) longer)
 *Horsepower (B.I.A.-certified) . . 55 hp at 5500 rpm
 Full throttle operating range . . . 5000 to 6000 rpm

NOTE

The recommended full power operating range for this outboard motor is from 5000 - 6000 R.P.M. In order to get the best performance, the upper end of this range, from 5500 - 6000 R.P.M. is the engine speed to use in selecting the proper propeller. The R.P.M. should be measured with your expected average load in the boat.

Tank test with test wheel
 Part No. 387635 5300 rpm

Engine type 2 cycle, 2 cylinders in line
 Bore and stroke 3.1875" bore x 2.820" stroke
 (80.96 x 71.63 mm)
 Piston displacement 45.0 cu. in. (737 cm³)

Piston ring sets
 (2 per set) standard Part No. 385798
 0.030" oversize Part No. 385799

Diameter of ring 3.060" (standard)
 Width of ring
 Upper, Part No. 318411 0.0900" - 0.0895"
 (2.286 - 2.273 mm)
 Lower, Part No. 318412 0.0625" - 0.0615"
 (1.588 - 1.562 mm)

Piston without rings
 Standard Part No. 386094
 0.030" oversize Part No. 386097

Crankshaft size
 Top journal 1.4979" - 1.4974"
 (38.047 - 38.034 mm)
 Center journal 1.3752" - 1.3748"
 (34.930 - 34.920 mm)
 Bottom journal 1.1815" - 1.1810"
 (30.010 - 29.997 mm)

Connecting rod crank pin 1.1828" - 1.1823"
 (30.043 - 30.030 mm)

Carburetion 2 carburetors - Float feed.
 Manual and remote control choke

Float level setting Remove float bowl,
 turn it upside down so weight of float closes
 needle; float should now be parallel to and 1/16"
 (1.6 mm) above surface of gasket

High speed orifice plug Part No. 321407 -
 Hole size 0.054" (1.37 mm)

Idle orifice plug
 Top carburetor Part No. 318823
 0.031" (0.79 mm)

Lower carburetor Part No. 317473
 0.030" (0.76 mm)

Inlet needle set . 0.065" - 0.062" (1.65 - 1.57 mm)
 Use a #52 drill as gage.

Cooling system Temperature and
 pressure controlled system

Propeller gear ratio 12:29

Propeller supplied with motor (Aluminum)
 3 blade, 12-1/4" dia. x 15" pitch

Alternate propellers (Aluminum) 3 blade,
 13" dia. x 11" pitch
 (Aluminum) 3 blade, 12-1/2" dia. x 13" pitch
 (Aluminum) 3 blade, 11-3/4" dia. x 17" pitch
 (Aluminum) 3 blade, 11-1/2" dia. x 19" pitch

NOTE

SST propellers also available.

Speed control Remote control synchronized
 throttle and spark

Gear shift control Forward, neutral,
 reverse - remote control

Weight
 (without fuel tank) . . Standard - 180 lbs. (81.6 kg),
 Long - 187 lbs. (84.8 kg)
 (Fuel tank weight 11 lbs. (5 kg) net)

Fuel capacity 6 gallons (22.7 litres)

Starter Electric with emergency rope

Electrical system 6 amp alternating current
 generator

Starter amp draw when cranking
 (Prestolite) 135 amperes maximum
 (Bosch) 110 amperes maximum

Ignition (Magneto breakerless C.D.) . . Power Pack

Timing 19° @ 3500 minimum rpm in gear

Spark plug Champion L77J4 or
 AC M40FFX

Spark plug torque 17-1/2 - 20-1/2 ft.-lbs.
 (24-27 N·m)

Spark plug gap040" (1.0 mm)

Sensor air gap Fixed

Ignition coil Part No. 581611

*Horsepower at sea level. Allow 2% reduction per 1000' (300 m) above sea level.

IGNITION COIL TEST SPECIFICATIONS

Stevens Model ST-75
 Reverse Polarity (Switch Setting CD) 1.9

Stevens Tester Model M.A.-75 or M.A.-80
 Switch A (Use Model CD-1 Adapter - Red
 test clip to orange/black -
 Black test clip to orange)
 Index Adjustment 20

Merc-O-Tronic with
 Capacitor Discharge Adapter Model 55-980
 Operating Amperage Min. - Max. 1.9

Primary Resistance Min. - Max. 0.1 Ohm
 Secondary Continuity Min. - Max. 8 - 20

Graham Tester Model 51
 Maximum Secondary 3,000 ohms
 Maximum Primary 0.6 ohm
 Coil Index 50
 Coil Test Minimum AMPLIFIED 27
 (With secondary circuit "open")
 Hi tension lead disconnected

Gap Index 50 (Coil must fire spark gap on
 tester at this setting)