



EVINRUDE

SERVICE

**MANUAL
1976**

4 HP

**MODEL 4606
4636**

INTRODUCTION

1

GENERAL
SERVICE
INFORMATION

2

FUEL
SYSTEM

3

IGNITION
SYSTEM

4

POWER
HEAD

5

LOWER
UNIT

6

MANUAL
STARTER

7

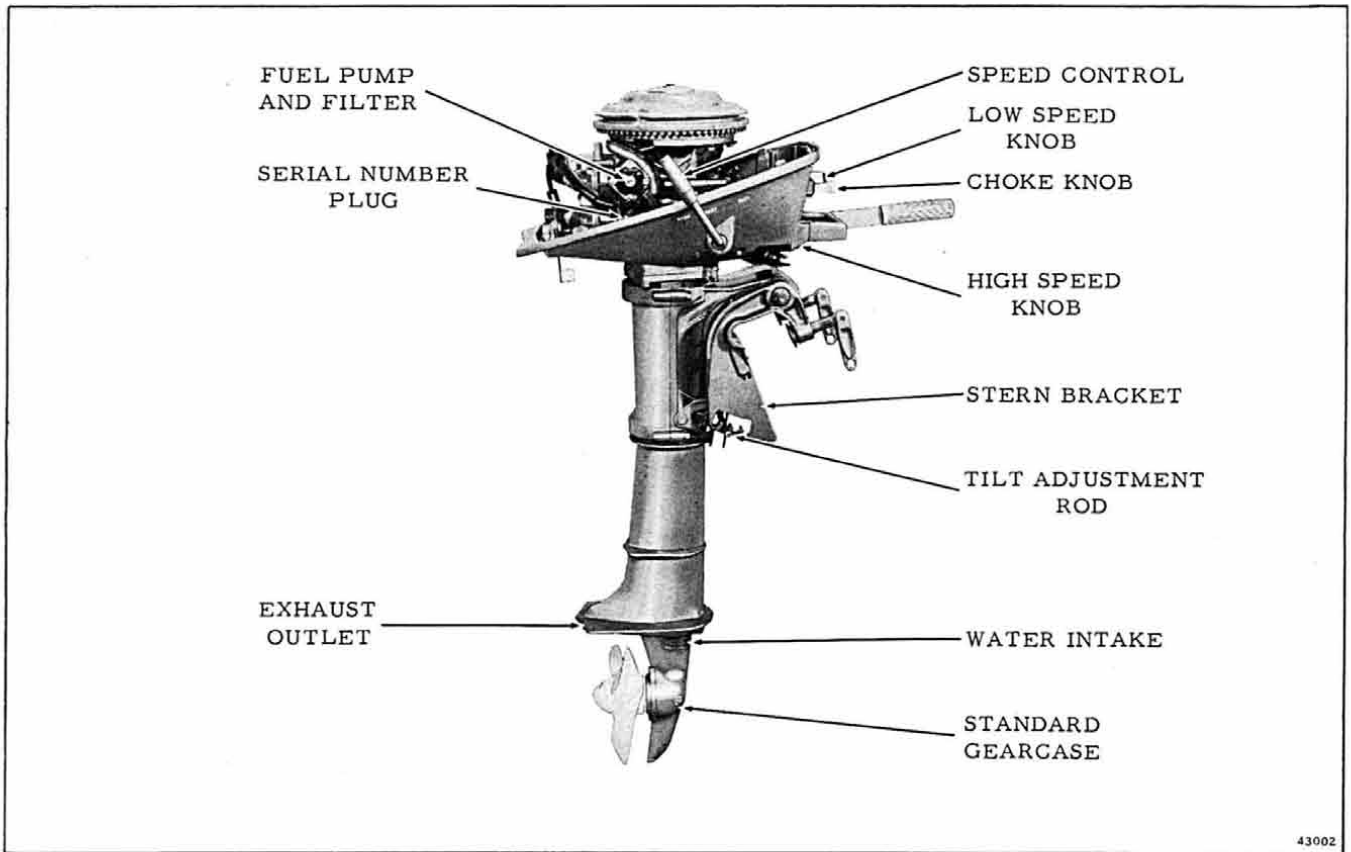


Figure 1-1. 4 H.P. with Standard Gearcase - Starboard Side

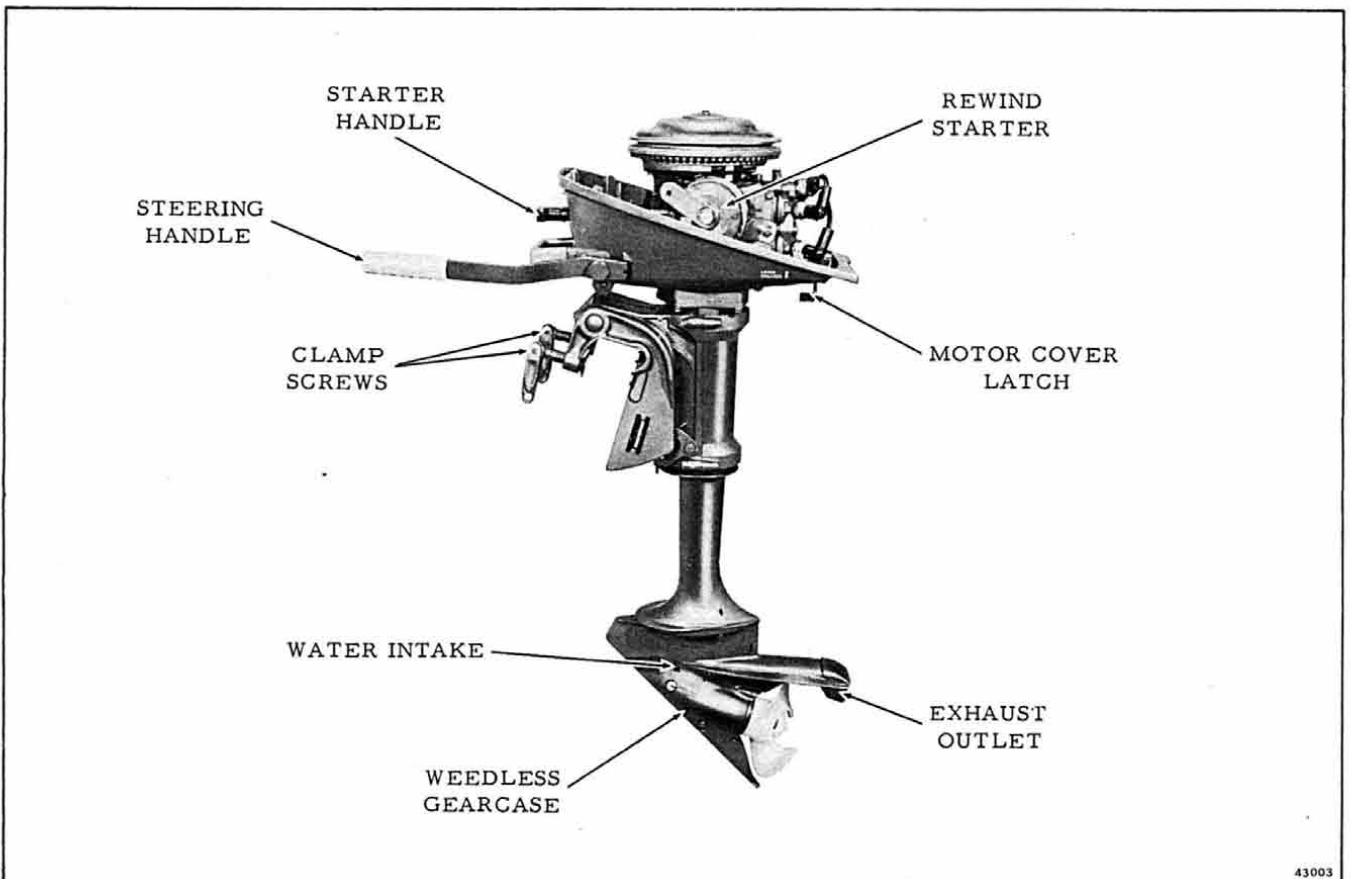


Figure 1-2. 4 H.P. with Weedless Gearcase - Port Side

SPECIFICATIONS

Model	4606, (Weedless gearcase) 4636, (Standard gearcase)	Propeller gear ratio	17:28 Weedless 12:25 Standard
*Horsepower (B.I.A. - certified)	4 hp at 4500 rpm	Propeller drive pin	Part Number 316558 1/8" x 1.234" stainless steel
Full throttle operating range	4000 to 5000 rpm	Propeller	Standard - 7-1/2" dia x 6" pitch, 3 blade LEXAN
Test tank rpm with test wheel	4100 rpm Part Number 316021 for 4506 4550 rpm Part Number 317738 for 4536	Speed control	Weedless - 6-1/4" dia x 6" pitch, 2 blades LEXAN
Engine type	2-cylinder, 2 cycle alternate firing	Weight	Weedless - 34.0 lbs. Standard - 32.3 lbs.
Bore and stroke	1-9/16" bore x 1-3/8" stroke	Hi Lift vacuum fuel system	3 gal. tank and plug in hose
Piston displacement	5.28 cubic inches	Fuel capacity	3 gallons
Piston ring sets (2 per set) standard .030" oversize	Part Number 383920 Part Number 384312	Starter	Eas-A-Matic, self-rewinding
Diameter of ring	1.563 in. (standard)	Ignition	Flywheel magneto
Width of ring	.0625 - .0615 in.	Spark plug	AC-M44C, Champion J6J, - 14mm
Lbs. compression recommended when compressed	1.3 to 2.8 lbs.	Spark plug gap	.030 inch
Piston and ring assembly standard .030" oversize	Part Number 384651 Part Number 384666	Spark plug torque	17-1/2 - 20-1/2 foot-pounds
Crankshaft size top journal center journal bottom journal	.7520 - .7515 in. .6854 - .6849 in. .6854 - .6849 in.	Breaker point gap	.020 inch
Connecting rod crank pin	.6255 - .6250 in.	Condenser Capacity	Part Number 580321 .18 to .22 Mfd.
Carburetion	Single barrel float feed, with high and low-speed adjustments manual choke	Coil	Part No. 580971
Float level setting	Flush with casting	COIL TEST SPECIFICATIONS	
Inlet needle seat	.053 - .050 Use a #55 drill as gage.	Stevens Tester Model ST-75	
Cooling system	Centri-matic (combination positive displacement and centrifugal pump).	Normal Polarity Switch Setting Standard	

Stevens Tester Model ST-75				
Normal Polarity Switch Setting Standard		2.2		
Stevens Tester Model No. M.A.-75 or 80				
Switch		Index Adjustment		
B		22		
Merc-O-Tronic				
Operating Amperage		Primary Resistance Min. Max.		Secondary Continuity Min. Max.
1.6		.5 - .7		35 - 45
Graham Tester Model 51				
Maximum Secondary	Maximum Primary	Coil Index	Minimum Coil Test	Max. Gap Index
5500	1.2	75	33	75

*Horsepower established at sea level. Allow 2% reduction per 1000' above sea level.