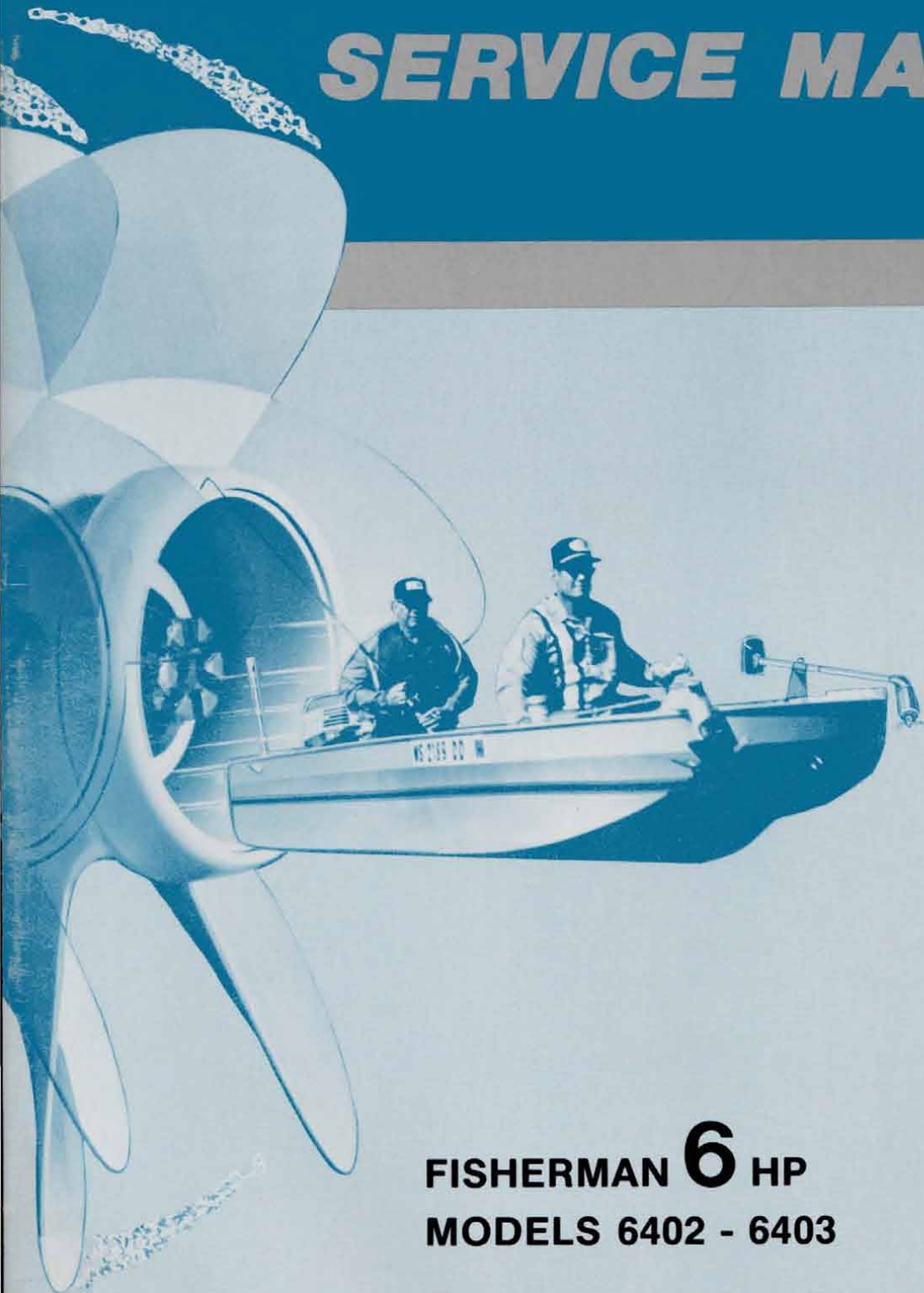


1974 EVINRUDE SERVICE MANUAL



INTRODUCTION

1

GENERAL
SERVICE
INFORMATION

2

FUEL
SYSTEM

3

IGNITION
SYSTEM

4

POWER
HEAD

5

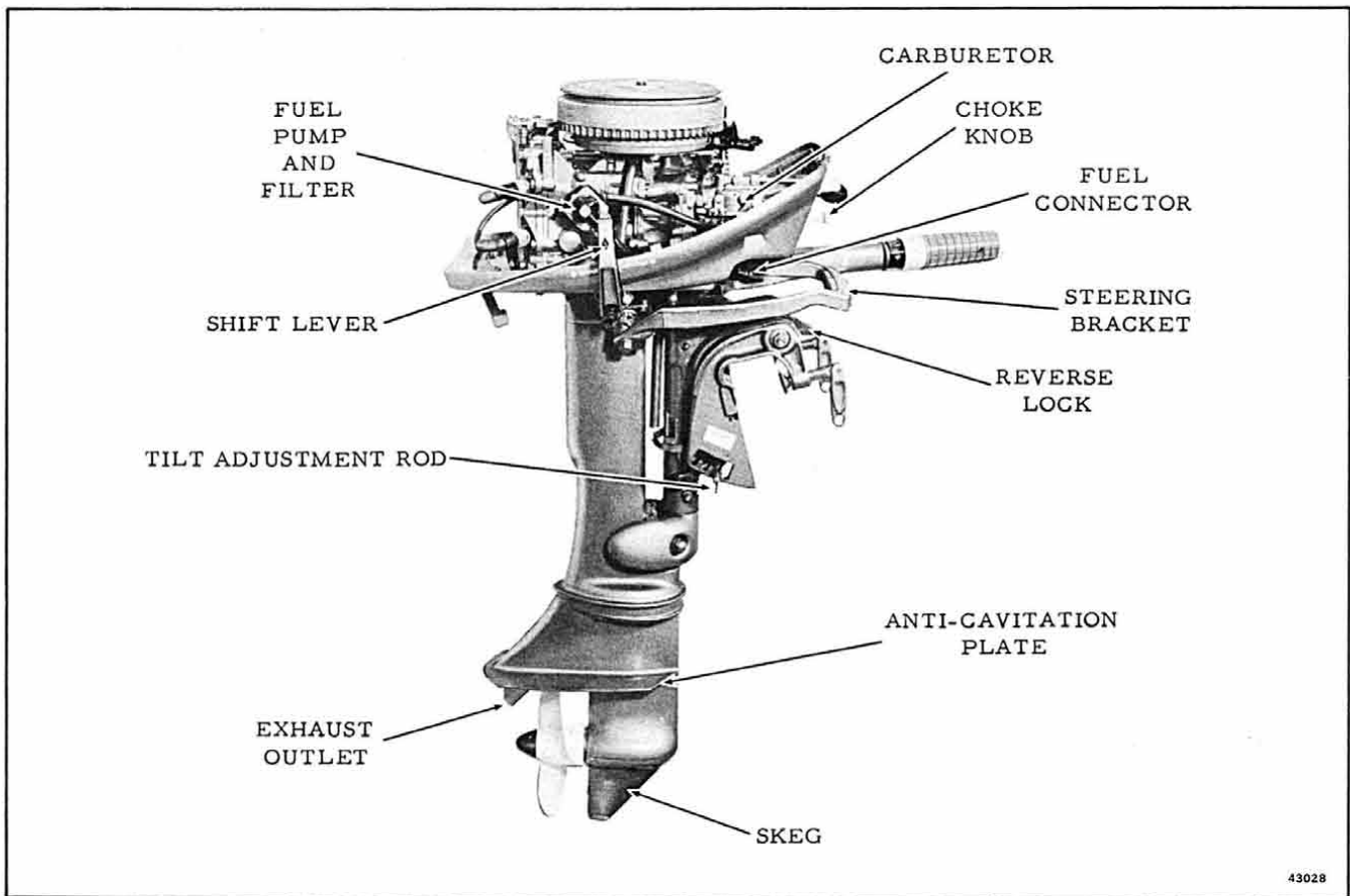
LOWER
UNIT

6

MANUAL
STARTER

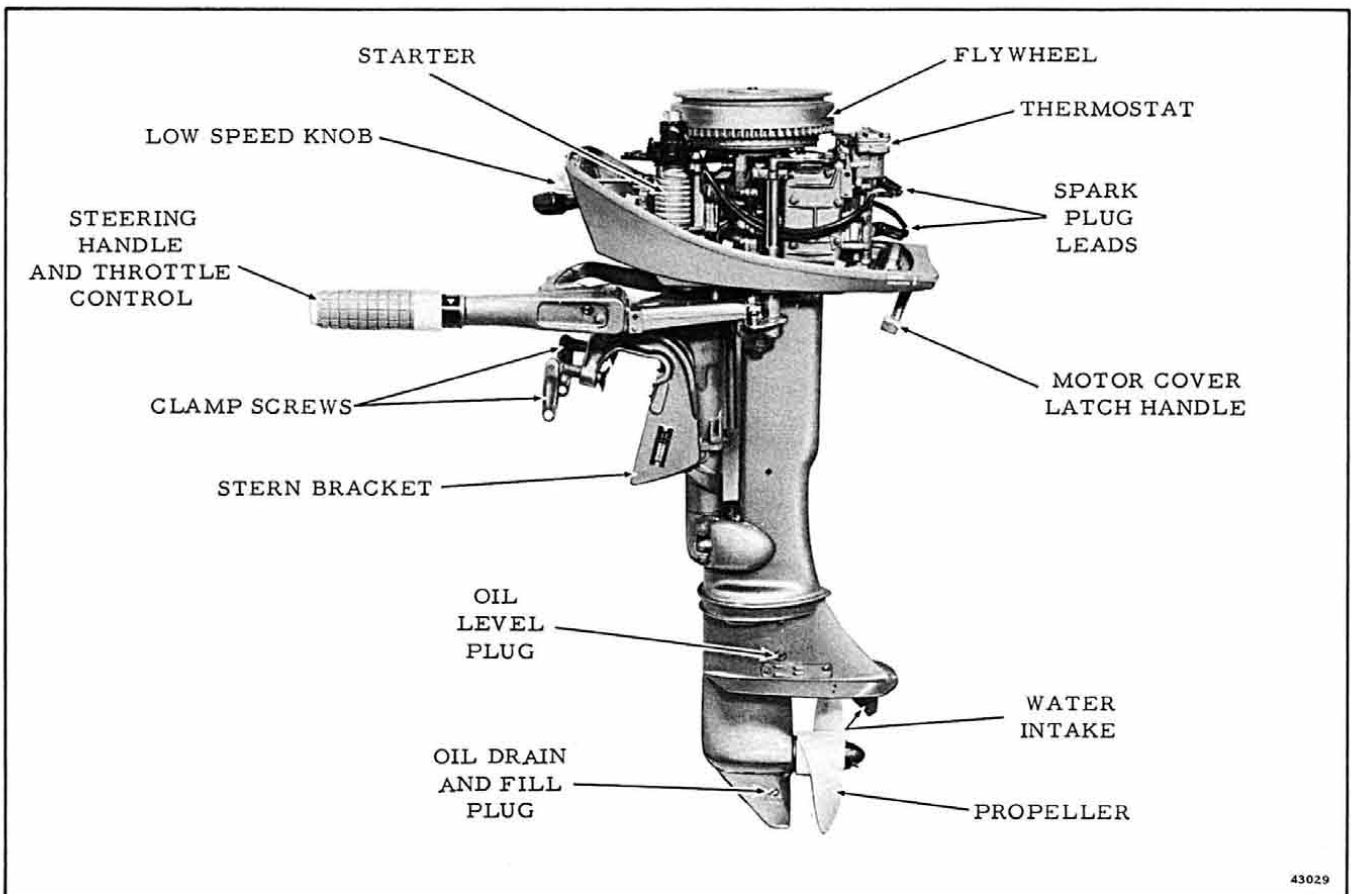
7

FISHERMAN 6 HP
MODELS 6402 - 6403



43028

Figure 1-1. Starboard Side



43029

Figure 1-2. Port Side

SPECIFICATIONS

Model Numbers	6402 - Standard length (15" transom) 6403 - 5" longer (20" transom)	Propeller drive pin	Part Number 307949, 3/16" x 1-25/64" stainless steel			
*Horsepower (B.I.A. - certified)	6 hp at 4500 rpm	Propeller	8" diameter x 7-1/4" pitch, 2 blade (Lexan)			
Full throttle operating range	4000 - 5000 rpm	Speed control	Twist-grip, synchronized throttle and spark			
Tank test with test wheel	4000 rpm Part Number 380757	Gear shift control	Forward, neutral, and reverse			
Engine type	2 cylinder, 2 cycle, alternate firing	Weight (without fuel tank)	Model 6402 - 51 pounds Model 6403 - 52 pounds (Fuel tank weight 11 pounds net)			
Bore and stroke	1-15/16" bore x 1-1/2" stroke	Fuel capacity	6 gallons			
Piston displacement	8.84 cubic inches	Starter	Manual, self-rewinding			
Piston ring sets (3 per set)		Ignition	Flywheel magneto			
standard	Part Number 378432	Spark plug	AC-M44C, Champion J6J, - 14mm			
.030 oversize	Part Number 384336	Spark plug gap	.030 inch			
Diameter of ring	1.9375 in. (standard)	Spark plug torque	17-1/2 - 20-1/2 Foot-pounds			
Width of ring	.0935 - .0925 in.	Breaker point gap	.020 inch			
Lbs. compression recommended when compressed	2 to 4 lbs.	Condenser Capacity	Part Number 580321 .18 - .22 Mfd.			
Piston less rings standard	Part Number 376994	Coil	Part No. 580971			
.030" oversize	Part Number 384335	COIL TEST SPECIFICATIONS				
Crankshaft size top journal	.8080 - .8075 in.	Old Stevens Tester				
center journal	.8080 - .8075 in.	Switch	Index Reading			
bottom journal	.8080 - .8075 in.	A	2.0 - 2.5			
Connecting rod crank pin	.6690 - .6685 in.	New Stevens Tester Model No. M.A.-75				
Carburetion	Single barrel, float feed, low-speed adjustment	Switch	Index Adjustment			
Float level setting	Flush with rim of casting	B	22			
Carburetor orifice plug	Hole size .044" Part Number 315140	Merc-O-Tronic				
Inlet needle seat	.053" to .050". Use a #55 drill as gage	Operating Amperage	Primary Resistance Min. - Max.	Secondary Continuity Min. - Max.		
Cooling system	Centri-Matic (combination positive displacement and centrifugal pump) Thermostatically controlled	1.7	.45 - .65	35 - 45		
Propeller gear ratio	15:26	Graham Tester Model 51				
		Maximum Secondary	Maximum Primary	Coil Index	Minimum Coil Test	Max. Gap Index
		5500	1.2	75	33	75

*Horsepower established at sea level. Allow 2% reduction per 1000' above sea level.