

1971 Johnson

OUTBOARD MOTOR

SERVICE MANUAL



INTRODUCTION

1

GENERAL
SERVICE
INFORMATION

2

FUEL
SYSTEM

3

IGNITION
SYSTEM

4

POWER
HEAD

5

LOWER
UNIT

6

ELECTRICAL
SYSTEM

7

MANUAL
STARTER

8

MODELS 40R71 40RL71 40E71 40EL71

40 HP

JOHNSON MOTORS, WAUKEGAN, ILLINOIS U.S.A.

SPECIFICATIONS

Model Numbers	40R71 - Standard length (15" transom) 40RL71 - 5" longer (20" transom) 40E71 - Standard length (15" transom) 40EL71 - 5" longer (20" transom)	Propeller options	3 blade, 10-3/8" dia. x 11-1/2" pitch 3 blade, 10-1/2" dia. x 12" pitch 3 blade, 10-3/8" dia. x 14" pitch 3 blade, 11" dia. x 9" pitch
Horsepower (B.I.A. certified)	40 hp at 4500 rpm	Speed control	Knob on steering bracket or remote control. Synchronized throttle and spark
Full throttle operating range	4000 to 5000 rpm	Gear shift control	Forward, neutral, and reverse
Tank test with test wheel	4300 rpm Part Number 378566	Weight (without fuel tank)	Model 40R71 - 128.5 lbs. Model 40RL71 - 132 lbs. Model 40E71 - 140 lbs. Model 40EL71 - 144 lbs. (Fuel tank weight 11 pounds net)
Engine type	2 cyl., 2 cycle, alternate firing	Fuel capacity	6 gallons
Bore and stroke	3-3/16" bore x 2-3/4" stroke	Starter	40R71-40RL71 - Ready pull self-winding 40E71-40EL71 - Electric
Piston displacement	43.9 cubic inches	Starter amperage draw while cranking	120 AMP.
Piston ring sets (2 per set)		Ignition	Flywheel magneto
standard	Part Number 384699	Spark plug	AC-M42K, Champion J4J, 14mm
.030" oversize	Part Number 384718	Spark plug gap	.030 inch
Diameter of ring	3.1875 in. (standard)	Spark plug torque	17-1/2 - 20-1/2 foot-pounds
Width of ring	Upper - .0900 - .0895 in. Lower - .0615 - .0625 in.	Breaker point	Gap .020 inch
Lbs. compression recommended when compressed	Upper - .5 to 2.5 lbs. Lower - 4 to 8 lbs.	Condenser Capacity	Part Number 580422 .25 - 29 Mfd.
Piston less rings standard	Part Number 384692	Part No. 580416 Coil Test Specifications	
.030" oversize	Part Number 384715	Old Stevens Tester	
Crankshaft size		Switch	Index Reading
Top journal	1.2500 - 1.2495	A	2.0 - 2.5
Center journal	1.000 - .9995		
Bottom journal	1.000 - .9995	New Stevens Tester Model No. M.A.-75	
Connecting rod crank pin	1.1828 - 1.1823 in.	Switch	Index Adjustment
Carburetion	Single barrel, float feed, high- and low-speed adjustments, manual choke or electric choke	A	22
Float level setting	Flush with rim of casting		
Inlet needle seat	.065 - .062 Use #52 drill as gage	Merc-O-Tronic	
Cooling system	Vari-Volume (combination positive displacement and centrifugal pump)	Operating Amperage	Primary Resistance Min. Max. Secondary Continuity Min. Max.
Propeller gear ratio	12:21	1.4	.45 - .55 35 - 45
Propeller drive pin	Part Number 304575, 1/4" x 1-15/32" stainless steel	Graham Tester Model 51	
Propeller supplied with motor	3 blade, 10-1/2" dia. x 13" pitch	Maximum Secondary	Maximum Primary Coil Index Minimum Coil Test Gap Index
		5500	1.2 75 33 70

*Horsepower established at sea level. Allow 2% reduction per 1000' above sea level.

LUBRICATION POINTS

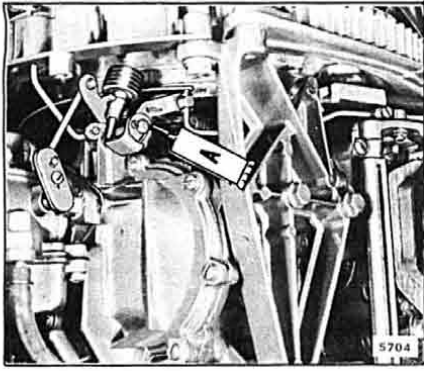


Figure 2-3. Cam Follower Linkage and Locking Lever

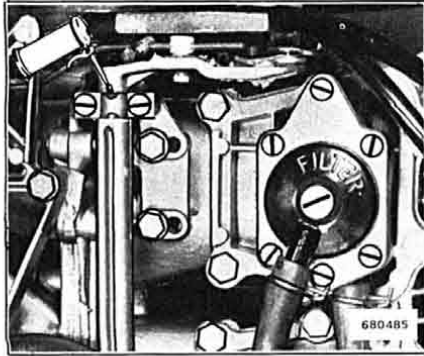


Figure 2-4. Throttle Shaft Bearing and Magneto Linkage

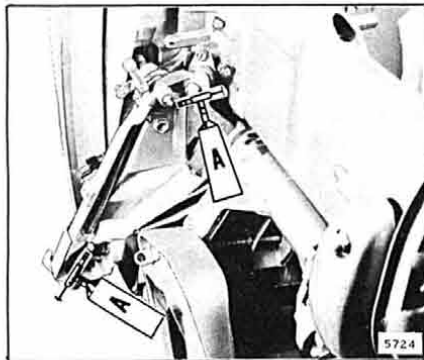


Figure 2-5. Throttle Shaft Bushings and Gears

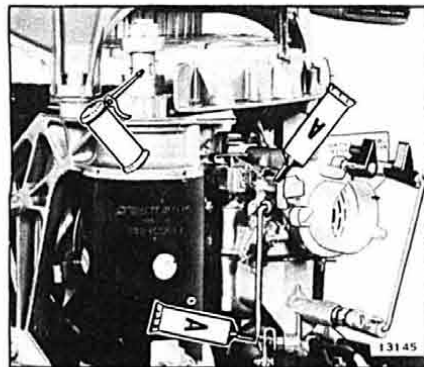


Figure 2-6. Choke Linkage and Starter Pinion Gear Shaft

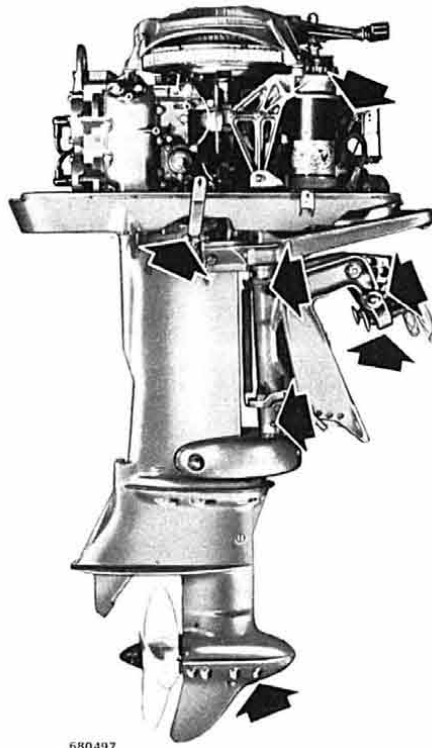


Figure 2-1. Starboard Side, 40 H.P. Electric

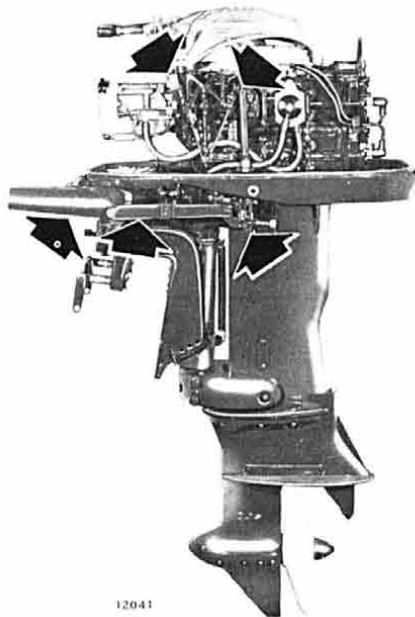


Figure 2-2. Port Side, 40 H.P. Manual Start

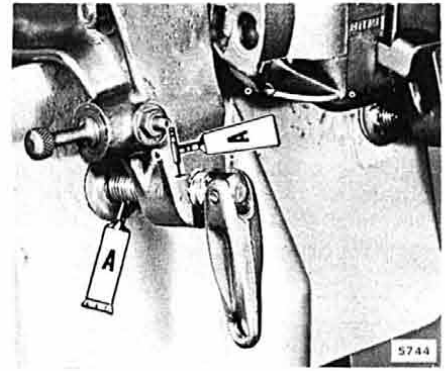


Figure 2-7. Tilt Lock Pin and Clamp Screws

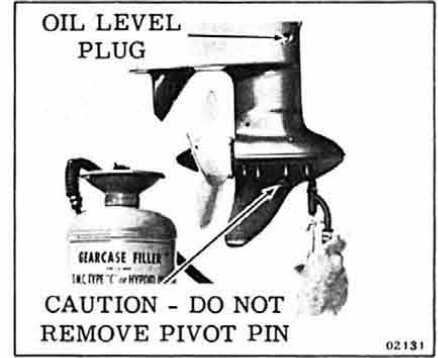


Figure 2-8. Gearcase

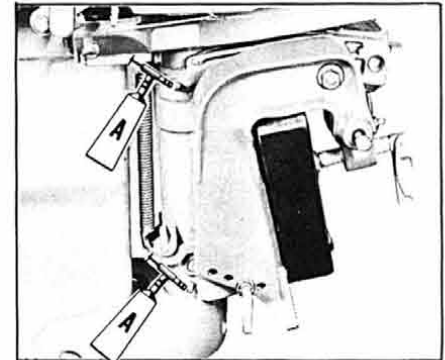


Figure 2-9. Swivel Bracket Fittings and Reverse Lock

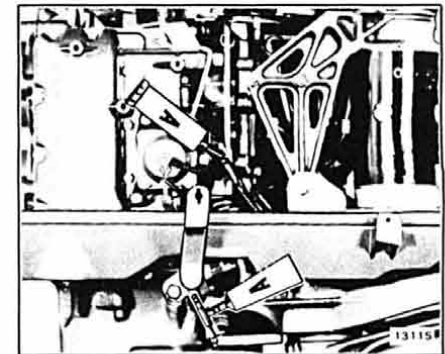


Figure 2-10. Gear Shift Lever Shaft and Lockout