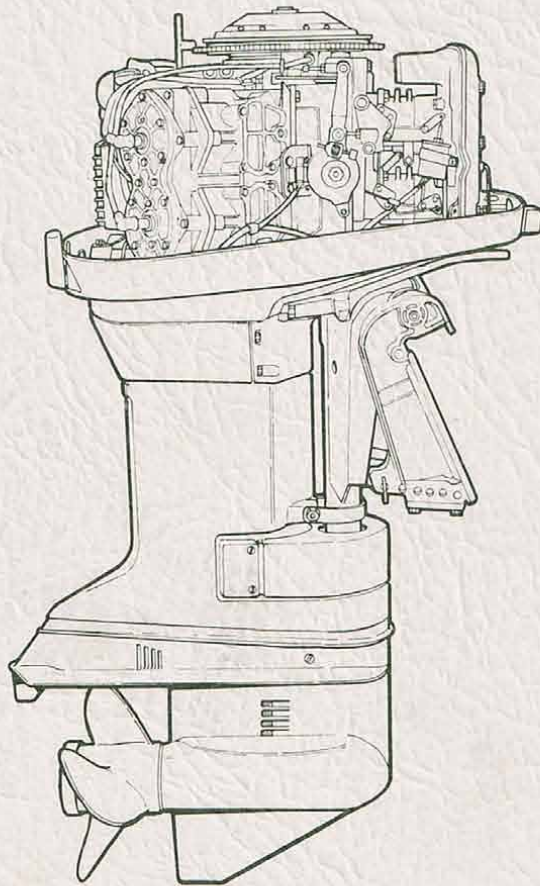


1969

Johnson

OUTBOARD MOTOR

SERVICE MANUAL



INTRODUCTION	1
GENERAL SERVICE INFORMATION	2
FUEL SYSTEM	3
IGNITION SYSTEM	4
POWER HEAD	5
LOWER UNIT	6
ELECTRICAL SYSTEM	7
REMOTE CONTROL	8

115 HP



JOHNSON MOTORS, Waukegan, Illinois, U.S.A.

SPECIFICATIONS

Model Numbers 115ESL69 (20" transom)
 *Horsepower (O.B.C.-certified) 115 hp at 5000 rpm
 Full throttle operating range 4500 to 5500 rpm
 Tank test with test wheel 4800 rpm
 Engine type 90° V-type, 4 cylinder, 2 cycle
 Bore and stroke 3.438" bore x 2.588" stroke
 Piston displacement 96.1 cubic inches
 Piston ring sets (3 per set) standard Part Number 383680
 .030" oversize Part Number 383681
 Diameter of ring 3.438 in. (standard)
 Width of ring062 in.
 Piston ring lbs. compression
 recommended when compressed 3.20 to 6.75 lbs.
 Piston less rings
 Standard Part Number 383484
 .030" oversize Part Number 383679
 Crankshaft size
 Top journal 1.4980 - 1.4975
 Center journals 1.3752 - 1.3748
 Bottom journal 1.1815 - 1.1810
 Connecting rod crank pin 1.1828 - 1.1823
 Carburetion 2 carburetors - Float feed with low-speed adjustment
 Automatic, manual lever and remote control choke
 Float level setting Remove float bowl, turn carburetor upside down
 so weight of float closes needle; float
 should now be parallel to gasket surface.
 Carburetor orifice plug Part Number 316102 Hole size .062
 Inlet needle seat065 - .062 Use a #52 drill as gage
 Cooling system Thermostatically controlled recirculating system
 Propeller gear ratio 13:26
 Propeller supplied with motor 3 blade, 13" dia. 19" pitch
 Alternate propellers 3 blade, 13-1/4" dia. x 17" pitch
 3 blade, 14" dia. x 11" pitch
 3 blade, 14" dia. x 13" pitch
 3 blade, 13-3/4" dia. x 15" pitch
 3 blade, 14" dia. x 9" pitch
 Speed control Remote control - synchronized throttle and spark
 Gear shift control Hydro-Electric - forward, neutral,
 reverse - remote control
 Shift solenoids 5-6 ohms (10 ohms scale)
 Weight (without fuel tank) 245 lbs.
 (Fuel tank weight 11 lbs. net)
 Fuel capacity 6 gallons, suction type tank
 Starter Electric and emergency rope
 Electrical system 9 amp flywheel alternator
 Starter amp draw when cranking 185 amperes maximum
 Ignition (CD breakerless) Battery - Power Pulse
 Spark plug AC V4OFF or Champion L-19V
 Spark plug torque 17-1/2 - 20-1/2 foot-pounds

Part No. 580740 Coil Test Specifications - New Stevens Tester Model
 No. M.A. - 75 **Use Model CD-1 Adapter

<u>Switch</u>	<u>Coil</u>	<u>Index Adjustment</u>
**A - - - - -	580740 - - - - -	- - - - - 20

Merc-O-Tronic with Capacitor Discharge Adapter Model 55-980

Operating Amperage	Primary Resistance	Secondary Continuity
Min. - Max.	Min. - Max.	Min. - Max.
1.4		22 - 26

*Horsepower established at sea level. Allow 2% reduction per 1000' above sea level.

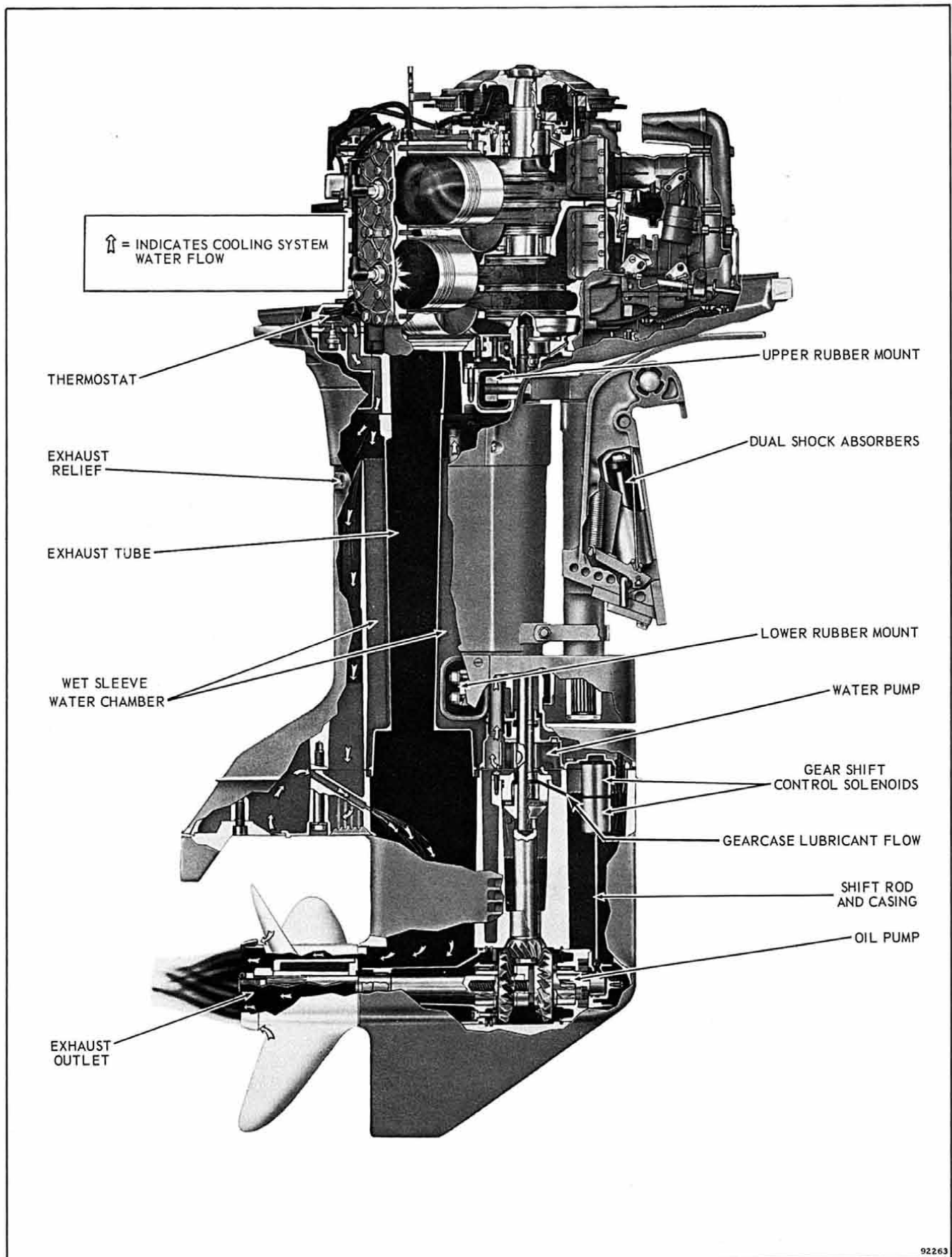


Figure 6-1. Cooling and Exhaust Systems