

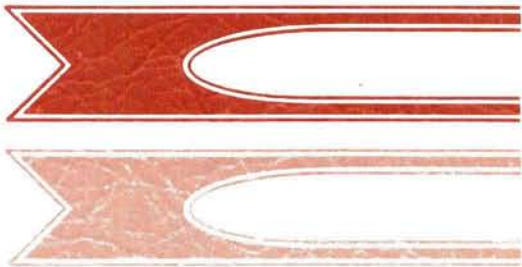
# 1967 EVINRUDE SERVICE MANUAL

**STARFLITE  
SPEEDIFOUR**

**80 HP**

## MODELS

80782 80783  
80792 80793  
80752 80753



| SECTION                     |   |
|-----------------------------|---|
| INTRODUCTION                | 1 |
| GENERAL SERVICE INFORMATION | 2 |
| FUEL SYSTEM                 | 3 |
| IGNITION SYSTEM             | 4 |
| POWER HEAD                  | 5 |
| LOWER UNIT                  | 6 |
| ELECTRICAL SYSTEM           | 7 |
| REMOTE CONTROL              | 8 |

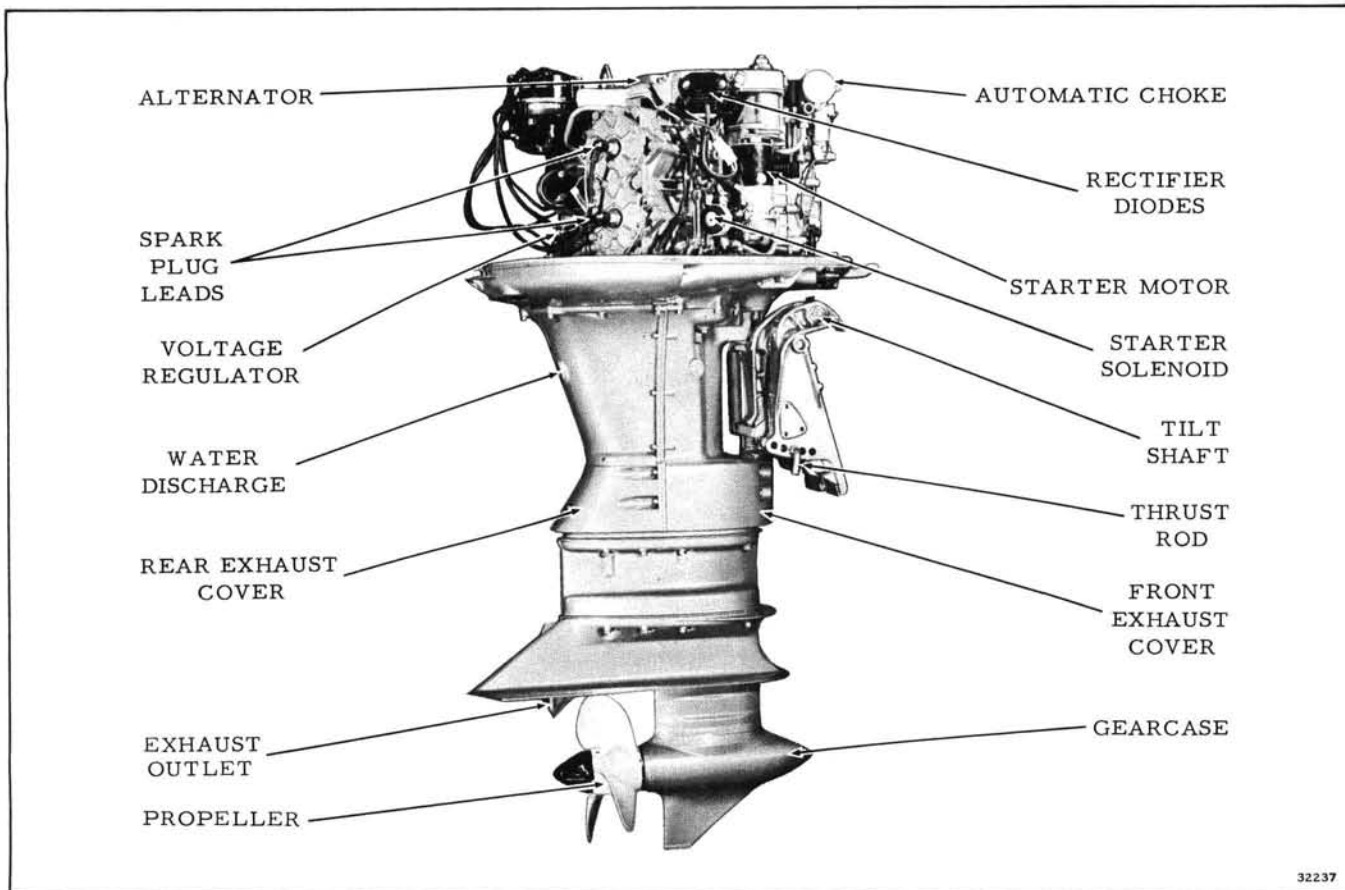


Figure 1-1. Starboard Side, Starflite

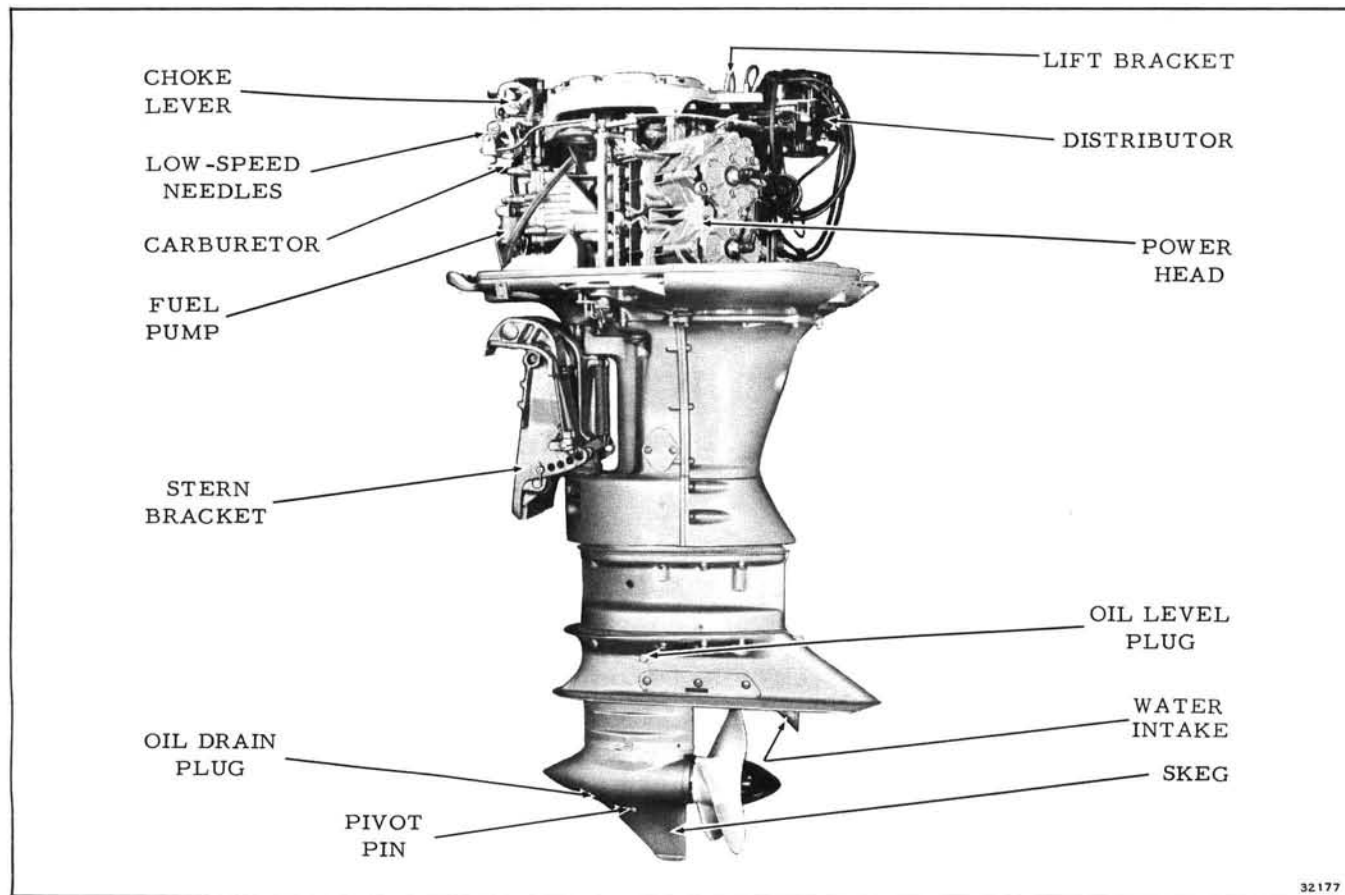


Figure 1-2. Port Side, Speedifour

# SPECIFICATIONS

|   |  |                                |   |
|---|--|--------------------------------|---|
| Model Numbers   |  | Propeller options              | 9-1/2" diameter x 10" pitch<br>10" diameter x 9-1/4" pitch<br>10" diameter x 11" pitch<br>10" diameter x 12" pitch  |
| 80752   | Speedifour, Standard length                      | Speed control                  | Remote control only   |
| 80753   | Speedifour, 5" longer                            | Gear shift control             | Forward, neutral, and reverse - Speedifour - Manual or remote control<br>Starflite - Selectric push-button remote control   |
| 80792   | Starflite, Standard length                       | Weight (without fuel tank)     | Model 80752 - 232 pounds<br>Model 80753 - 236 pounds<br>Models 80792 - 240-1/2 pounds<br>Models 80793 - 246 pounds<br>(Fuel tank weight - 11 pounds net)  |
| 80793   | Starflite, 5" longer                             | Fuel capacity                  | 6 gallons, suction type tank  |
| *Horsepower (O.B.C.-certified)  | 80 hp at 4500 rpm                                | Electrical system              | Alternating current generator   |
| Full throttle operating range   | 4000 to 5000 rpm                                 | Starter                        | Electric and emergency rope   |
| Engine type   | 90° V-type, 4 cylinder, 2 cycle                  | Starter amp draw when cranking | Maximum 140 amp   |
| Bore and stroke   | 3-3/8" bore x 2-1/2" stroke                      | Ignition                       | Automotive type battery and distributor system  |
| Piston displacement   | 89.5 cubic inches                                | Spark plug                     | AC-M42K, Champion J4J, AutoLite A21X - 14mm   |
| Piston ring sets (3 per set)  |  | Spark plug gap                 | .030 inch   |
| standard  | Part Number 380110                               | Spark plug torque              | 17-1/2 - 20-1/2 foot-pounds   |
| .020" oversize  | Part Number 380111                               | Breaker point gap              | .020 inch   |
| .040" oversize  | Part Number 380112                               | Condenser capacity             | .37 - .41 Mfd.  |
| Diameter of ring  | 3.375 in. (standard)                             | Carburetion                    | Twin barrel, down draft, float feed, low-speed adjustment, automatic spring-loaded choke  |
| Width of ring   | .0935 - .0925 in.                                | Float level setting            | Remove carburetor cover and turn upside down, so that weight of float closes float needle. With float arms straight, float should be parallel with face of casting (approximately 1/4" from casting). |
| Lbs. compression recommended when compressed  | 9.7 to 13.7 lbs.                                 | Carburetor orifice plug        | Hole size .064"   |
| Piston less rings   |  | Inlet needle seat              | .081" to .084". Use a #45 drill as gage   |
| standard  | Part Number 380569                               |                                |   |
| .020" oversize  | Part Number 378814                               |                                |   |
| .040" oversize  | Part Number 378815                               |                                |   |
| Crankshaft size   |  |                                |   |
| top journal   | 1.2658 - 1.2653 in.                              |                                |   |
| center journal  | 1.3752 - 1.3748 in.                              |                                |   |
| bottom journal  | 1.1815 - 1.1810 in.                              |                                |   |
| Connecting rod crank pin  | 1.1828 - 1.1823                                  |                                |   |
| Cooling system  | Thermostatically controlled recirculating system |                                |   |
| Propeller gear ratio  | 20:23  |                                |   |
| Propeller drive pin - standard  | Part #307217, 9/32" x 2-5/32", stainless steel   |                                |   |
| Propeller standard  | 10-1/4" diameter x 10" pitch                     |                                |   |
| *Horsepower established at sea level. Allow 2% reduction per 1000' above sea level. |  |                                |   |