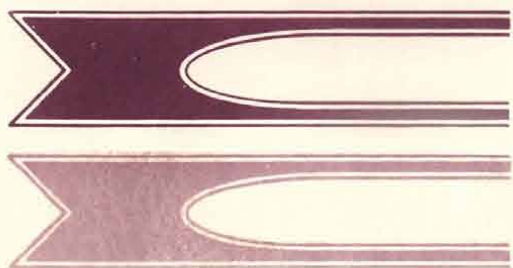


1966 EVINRUDE SERVICE MANUAL

ANGLER
5 HP



MODELS
5602 5603

SECTION	
INTRODUCTION	1
GENERAL SERVICE INFORMATION	2
FUEL SYSTEM	3
IGNITION SYSTEM	4
POWER HEAD	5
LOWER UNIT	6
MANUAL STARTER	7

OUTBOARD MARINE CORPORATION 1966

SPECIFICATIONS

Model Numbers	5602 - Standard length (15" transom) 5603 - 5" longer (20" transom)	Propeller gear ratio	12:25
*Horsepower O.B.C. - certified)	5 hp at 4000 rpm	Propeller drive pin	Part Number 311211, 1/8" x 1-1/4" stainless steel
Full throttle operating range	3500 - 4500 rpm	Propeller	8" diameter x 7-1/2" pitch, 3 blade
Engine type	2 cylinder, 2 cycle, alternate firing	Speed control	Single lever, synchronized throttle and spark
Bore and stroke	1-15/16" bore x 1-1/2" stroke	Weight (without fuel tank)	Model 5602-43 pounds Model 5603-43-1/2 pounds (fuel tank weight 12 pounds net)
Piston displacement	8.84 cubic inches	Fuel capacity	6 gallons, suction type tank
Piston ring sets (3 per set) standard .020" oversize	Part Number 378432 Part Number 378417	Starter	Manual, self-rewinding
Diameter of ring	1.9375 in. (standard)	Ignition	Flywheel magneto
Width of ring	.0935 - .0925 in.	Spark plug	AC-M24K, Champion J4J, Auto-Lite A21X - 14mm
Lbs. compression recommended when compressed	2 to 4 lbs.	Spark plug gap	.030 inch
Piston less rings standard .020" oversize	Part Number 376994 Part Number 376427	Spark plug torque	20 - 20-1/2 Foot-pounds
Crankshaft size top journal center journal bottom journal	.8085 - .8080 in. .8080 - .8075 in. .8085 - .8080 in.	Breaker point gap	.020 inch
Connecting rod crank pin	.6690 - .6685 in.	Condenser capacity	.18 - .22 Mfd.
Cooling system	Centri-Matic (combination positive displacement and centrifugal pump)	Carburetion	Single barrel, float feed, low-speed adjustment
		Float level setting	Flush with rim of casting
		Carburetor orifice plug	Hole size .041"
		Inlet needle seat	.053" to .050". Use a #55 drill as gage.

*Horsepower established at sea level. Allow 2% reduction per 1000' above sea level.

LUBRICATION POINTS

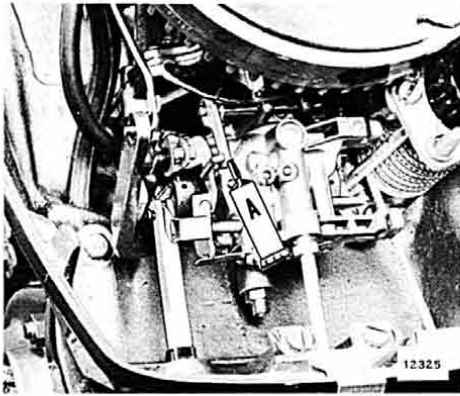


Figure 2-3. Carburetor Linkage

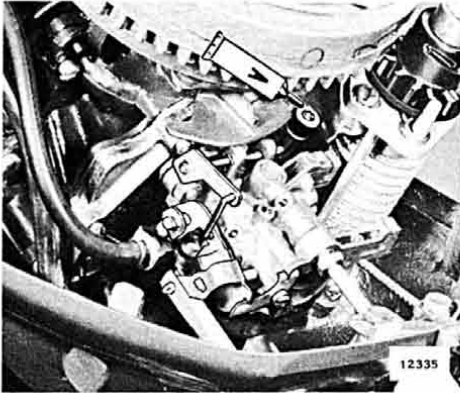


Figure 2-4. Cam Follower and Choke Linkage

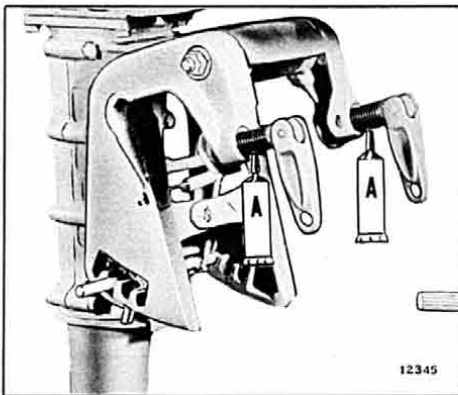


Figure 2-5. Clamp Screws

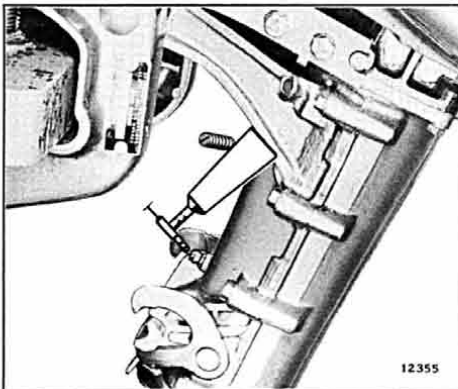


Figure 2-6. Swivel Bracket Fitting

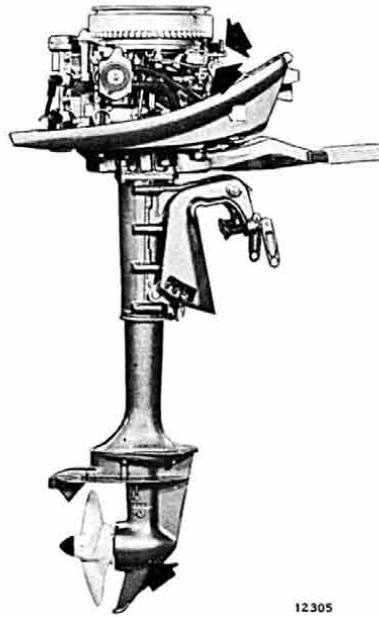


Figure 2-1. Starboard Side

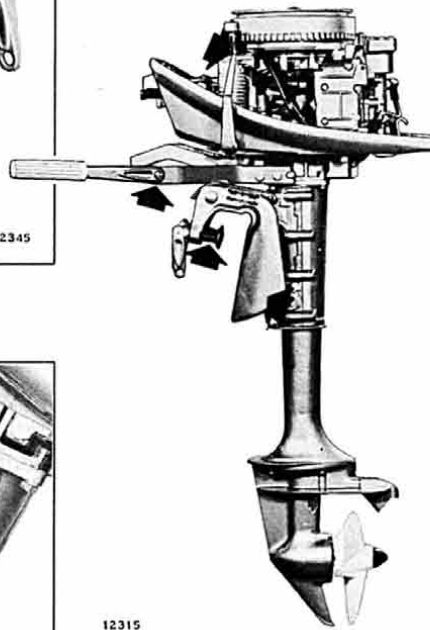


Figure 2-2. Port Side

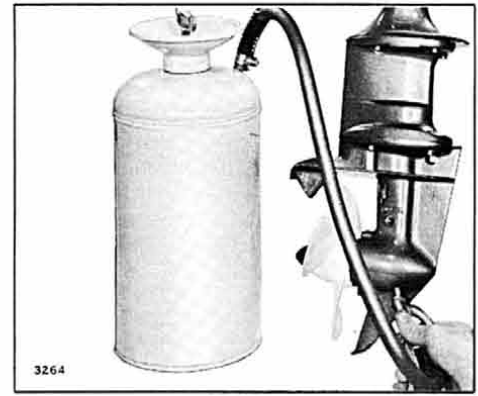


Figure 2-7. Gearcase

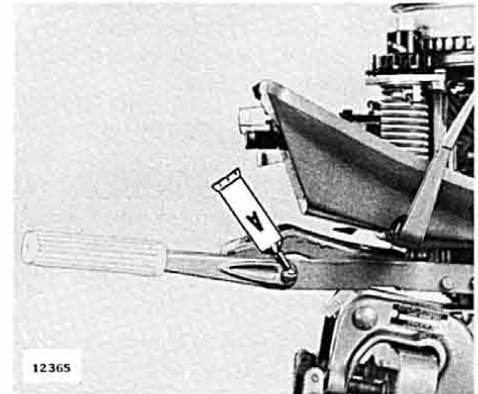


Figure 2-8. Steering Handle Pivot

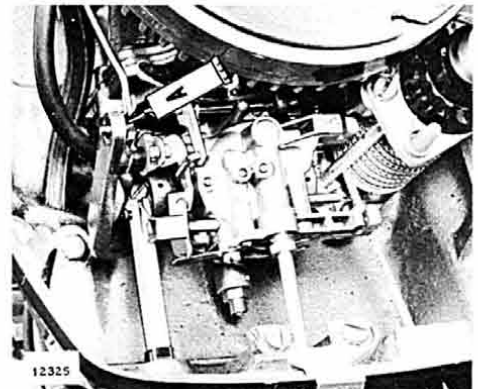


Figure 2-9. Speed Control Lever