

INTRODUCTION

TABLE OF CONTENTS

	page		page
BODY CODE PLATE		VEHICLE IDENTIFICATION NUMBER	
DESCRIPTION	1	DESCRIPTION - VEHICLE IDENTIFICATION NUMBER	9
FASTENER IDENTIFICATION		VEHICLE SAFETY CERTIFICATION LABEL	
DESCRIPTION	2	DESCRIPTION	10
FASTENER USAGE		E-MARK LABEL	
DESCRIPTION		DESCRIPTION	10
DESCRIPTION - FASTENER USAGE	5	VECI LABEL	
DESCRIPTION - THREADED HOLE REPAIR ..	5	DESCRIPTION	10
INTERNATIONAL SYMBOLS		MANUFACTURER PLATE	
DESCRIPTION	5	DESCRIPTION	10
METRIC SYSTEM			
DESCRIPTION	6		
TORQUE REFERENCES			
DESCRIPTION	8		

BODY CODE PLATE

DESCRIPTION

The Body Code Plate (Fig. 1) is located in the engine compartment on the plenum behind the right side strut tower (Fig. 2). There are seven lines of information on the body code plate. Lines 4, 5, 6, and 7 are not used to define service information. Information reads from left to right, starting with line 3 in the center of the plate to line 1 at the bottom of the plate.

BODY CODE PLATE LINE 2

DIGITS 1, 2, AND 3

Paint procedure

DIGIT 4

Open Space

DIGITS 5 THROUGH 7

Primary paint

(Refer to 23 - BODY/PAINT - SPECIFICATIONS)

for Body Color Codes.

DIGIT 8 AND 9

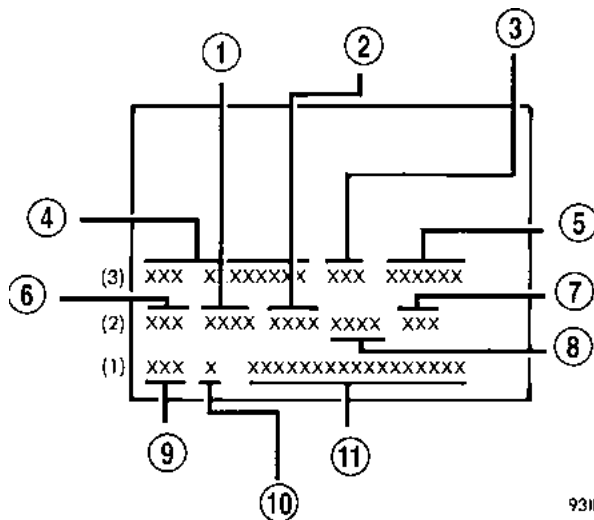
Open Space

DIGITS 10 THROUGH 12

Secondary Paint

DIGIT 13 AND 14

Open Space



93IN-8

Fig. 1 BODY CODE PLATE

- 1 - PRIMARY PAINT
- 2 - SECONDARY PAINT
- 3 - VINYL ROOF
- 4 - VEHICLE ORDER NUMBER
- 5 - CAR LINE SHELL
- 6 - PAINT PROCEDURE
- 7 - ENGINE
- 8 - TRIM
- 9 - TRANSMISSION
- 10 - MARKET
- 11 - VIN

DIGITS 15 THROUGH 18

Interior Trim Code

DIGIT 19

Open Space